

Powering
the everyday



Ideal Standard



Ideal Standard

Powering *the everyday*

DESIGN IS OUR DNA 2

BRASSWARE : 6

TESI 8

CERAPLAN 14

CERAFINE O AND D 24

CERALINE 32

CERAFLEX 42

SHOWER SYSTEMS : 52

TECHNOLOGIES 48 & 70

**TECHNICAL
INFORMATION** 72

Design is our DNA

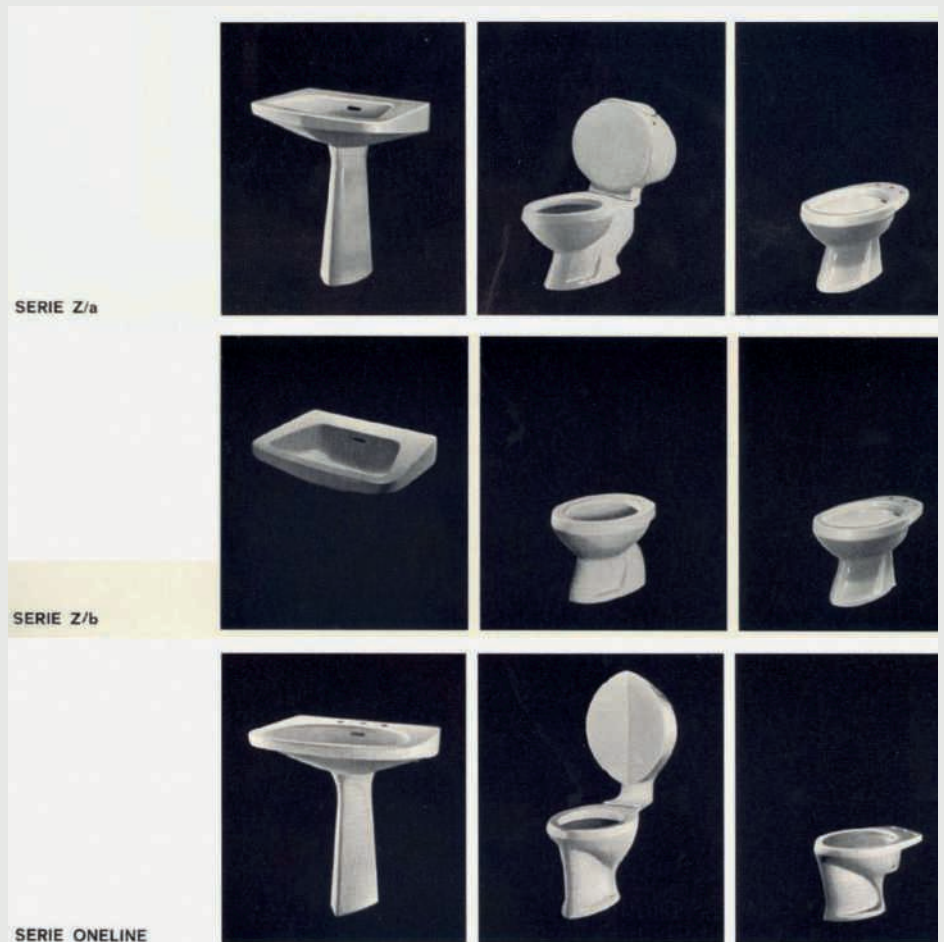
At the heart of Ideal Standard is a passionate belief in the 'eternal value of design.' A belief in its power to change lives for the better. It's a belief founded on our daily experience, and informed by our long heritage of Italian design. By looking and learning from this heritage, we build on the most outstanding elements of successful collections, and reimagine them for today's world.

By tracing our past and reflecting on the talents of old masters such as Gio Ponti

and Achile Castiglioni, we are able to forge the future. In our collaboration with multi-award winning Palomba Serafini Associati, we work to create a seamless synergy of functional perfection blended with aesthetic beauty, embracing innovations and improving design standards as we navigate the constant changes of modern life.

For us, design is vital, craft is essential, experience is everything and quality is second to none.

"THE SIMPLICITY AND THE PURITY OF THE SHAPES ARE SYNONYMOUS OF THE BALANCE BETWEEN FUNCTION AND EMOTION; AN ESSENTIAL BEAUTY..."



Ponti Z, an iconic shape of the fifties and sixties. The basin is smooth and without reliefs, is trapezoidal: a shape that follows the movement of the arms when washing.



...THIS IS THE CULTURAL ENVIRONMENT WHERE MY WORK WITH IDEAL STANDARD TAKES PLACE AND IT'S NO COINCIDENCE IT TAKES INSPIRATION FROM THE COMPANY'S OWN ROOTS."

ROBERTO PALOMBA



Top: The 1965 setting created for Ideal Standard's Espressioni Room in Milan was designed by the brothers Pier Giacomo and Achille Castiglioni.

Bottom: Another image of an exhibition in the Ideal Standard cultural space, active in Milan in the sixties and seventies.

**OUR DESIGNERS
THROUGHOUT THE YEARS**



1954
Ponti Z



Medaglia d'oro alla X Triennale di Milano per il vaso Ideal Standard



1972
Conca



1987
Class



Collezione permanente MOMA – New York



1971
Aquatonda



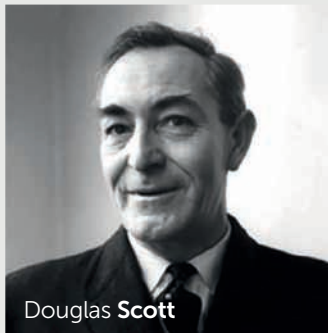
1976
Linda



Selezione Compasso d'oro 1979



1991
Iperbole



1963
Ellisse (Più)



Collezione permanente MOMA – New York

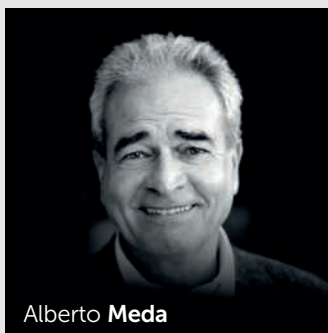


1995
X-L



Design Press Awards 1998

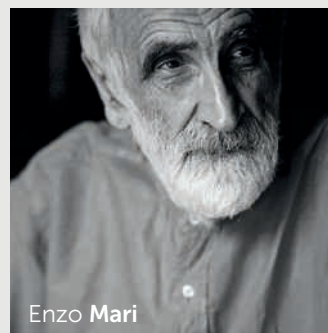
1986
Zagara



1999
Stemma



ADI Design Index



1991
Tonda

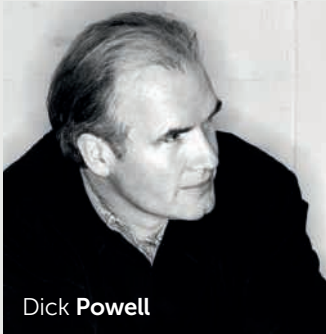


Design Press Awards 1998

1996
Fiorile



Selezione Compasso d'oro 1998



Dick Powell

2013
Dea



Jasper Morrison

2006
Morrison



David Chipperfield

2003
White



ADI Design Index
1999



Franco Bertoli

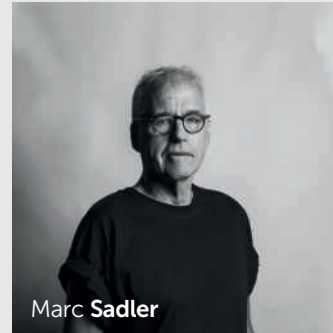
1998
Small



2005
Small+ Twin



ADI Design Index
1999



Marc Sadler

2004
Sadler



Marc Newson

2002
Newson



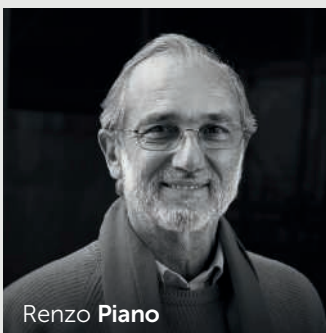
Matteo Thun

2008
Collezione IQ



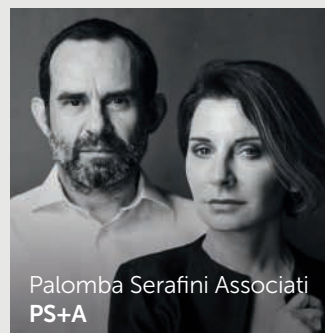
Robin Levien

2017
Ipalys®



Renzo Piano

2003
Piano Design
Ceramica Dolomite



Palomba Serafini Associati
PS+A

2021
Conca







Ideal Standard

Taps and mixers

TESI
CERAPLAN
CERAFINE O AND D
CERALINE
CERAFLEX



Tesi

MODERN BY NATURE

The pure and simple design of Tesi makes it perfect for most bathrooms, of any size. Modern by nature, Tesi's taps and mixers are built to accommodate family bathrooms or a stylish, contemporary, smaller en suite or cloakroom, fitting

in perfectly to your home. Form meets function with clever, single lever and dual-control bath and shower fillers and mixers and a range of basin and bidet mixers, you're sure to find something to suit your space.



**EASY TO INSTALL
AND DELIVERING PRECISE
TEMPERATURE CONTROL.**

Whether it's a tall, mini, standard or built-in basin mixer or a shower/bath mixer Tesi is at the forefront of innovation. Each one is fitted with the FirmaFlow® 28mm ceramic disc cartridge to control

both the flow and temperature of your water with perfect precision. There is even a mini basin mixer to match the proportions of a cloakroom-sized basin and make the most of your space.





**TESI TAPS COMPLETE
THE LOOK OF ANY BATHROOM**



Mini Basin Mixer



Basin Mixer



Basin Mixer Grande



Vessel Basin Mixer



Built-in Basin Mixer



High Spout Basin Mixer



Built-in Shower Mixer



Built-in Bath & Shower Mixer



Exposed Shower Mixer



Exposed Bath & Shower Mixer



Bidet Mixer



Ceraplan

THE REDESIGN OF A LEGEND

More modern, slimmer, simpler, and smoother than ever, we've redesigned a classic piece, updating it to help you face the challenges of modern living, achieving a beautiful balance of style and technology.

With solid German engineering on the inside the Ceraplan brassware range is the centrepiece of your bathroom, 20 years in the making.



Beautiful *inside* and *out*.

The new **Ceraplan** is more comfortable and ergonomic thanks to adjustments to the spout length and handle height, and easier to clean due to its smoother exterior.

Experience the subtle, harmonious *control* of Ceraplan.

Experience the subtle, harmonious **Ceraplan** is more comfortable and ergonomic thanks to adjustments to the spout length and handle height, and easier to clean due to its smoother exterior.

Greater control for *lasting comfort*.

What's the key to a great shower? We believe the greater control you have, the more choice, and the more comfort you experience.

Powered by FirmaFlow® and defined by its ergonomic design, **Ceraplan** allows you to modify temperature and flow for your ideal shower experience – all while saving water and energy.



"WE'VE REDESIGNED AND IMPROVED
ON OUR CLASSIC, ACHIEVING A BEAUTIFUL BALANCE
OF TECHNOLOGY AND STYLE."

EASIER GRIP THROUGH
+15 MM HEIGHT

SUBTLE NECK
IMPROVING CLEANING

INCREASED COMFORT
+10 MM

REDUCED NECK

-10% SLIMMER



*German
Engineering*



A mixer for every situation.

Ceraplan



Basin Mixer



Vessel Mixer



High Spout Basin Mixer



Basin Mixer with Medical Handle



Basin Mixer with Side Spray



Exposed Basin Mixer



3-hole Basin Mixer



Built in Basin Mixer



Built in Bath & Shower Mixer



Built in Shower Mixer



Exposed Shower Mixer with and without Accessories



Exposed Bath & Shower Mixer with and without Accessories



Bath & Shower Mixer Rim Mounted



Bidet Mixer

Enjoy *Ceraplan* performance
in your kitchen *too*.



Ceraplan - sink mixer / high attached spout





Ceraplan - sink mixer / low attached spout

Bring Ceraplan modern design and performances in your kitchen as well. Water saving, temperature limiter, comfort height are more.

Ceraplan



Sink Mixer / Low Attached Spout



Sink Mixer / High Attached Spout



Sink Mixer / Pull-out Spout



Sink Mixer / Tubular Spout



Exposed Sink Mixer



Sink Mixer / High Attached Spout / Dish Washer Valve



Sink Mixer / High Attached Spout / Pre-window Solution



Sink Mixer / High Tubular Spout



Sink Mixer / High Tubular Spout / Pull-out Spout



Sink Mixer / High Tubular Spout / Pull-out Spout



Cerafine O and D

IT'S TIME TO MAKE A STATEMENT.

CERAFINE O

Cerafine O has everything you need to completely transform your home from taps and shower heads to complete bath and shower mixer kits – all made with a modern design. Give yourself the ultimate bathroom solution with smooth surfaces and effortless efficiency.

With high- and low-pressure applicable fixings you can always enjoy the best bathroom experience.

EasyFix features pre-assembled components to cut installation times by up to 30%.

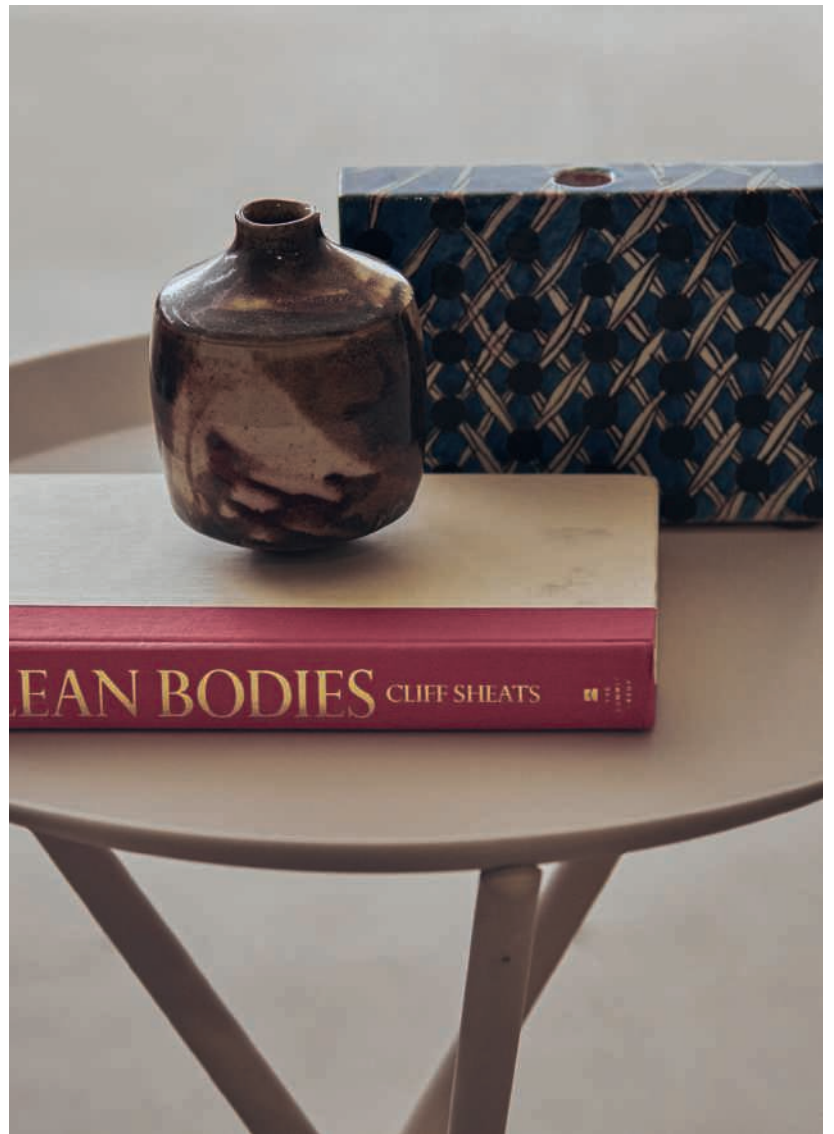
CERAFINE D

Cerafine D has an elegant design, combining smooth, rounded corners with strong, high-performance engineering. Whether you're modernising

your bathroom, or adding a stylish touch to your shower, this range can help you make a contemporary statement.



**FEATURING SMARTSHINE[®],
CERAFINE O AND D CHROME FINISH
ARE ULTRA RESISTANT AND EASY
TO CLEAN AND MAINTAIN.**



Cerafine O and D are powered by FirmaFlow[®], a ceramic disc cartridge designed to last 10 years – double the industry average – and stand heats up to 95 °C. Cerafine O and D have an elegant design, combining smooth, rounded corners with strong, high-performance engineering. Whether you're modernising your bathroom, or adding a stylish touch to your shower, these collections can help you make a contemporary statement.

CERAFINE O

Basin mixer







CERAFINE D

Mini basin mixer



CERAFINE D

Bidet mixer

CERAFINE D

Basin Mixer



A LOOK THAT STANDS
THE TEST OF TIME.

Cerafine O



Mini Basin Mixer



Basin Mixer



High Spout Basin Mixer



Built-in Basin Mixer



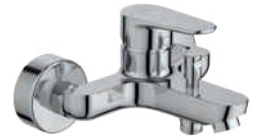
Built-in Shower Mixer



Built-in Bath & Shower Mixer



Exposed Shower Mixer



Exposed Bath & Shower Mixer with
and without Accessories



Bidet Mixer

Cerafine D



Mini Basin Mixer



Basin Mixer



Built-in Shower Mixer



Built-in Bath & Shower Mixer



Exposed Shower Mixer



Exposed Bath & Shower Mixer with
Automatic Diverter



Exposed Bath & Shower Mixer with
Ceramic Manual Diverter



Bidet Mixer

For colour reference, please see technical pages.



Ceraline

CLEAN LINES AND GENTLE ARCS

With soft geometries and an organic, cylindrical shape Ceraline offers a timeless design. Drawing inspiration from Scandinavian styling, it's going to

bring simple, minimalist beauty to your space. Designed for everyday living, brings elegance as well as comfort and convenience.



BUILT FOR COMFORT

Ceraline is not only a timeless piece. The collection's design was thought to increase comfort by providing extra height below the spout. Fitting with FirmaFlow® cartridge, Ceraline offers great performances in terms of water and energy savings, as well as a finer temperature control. Beauty and quality.

CERALINE

Basin Mixer
Chrome finish





CERALINE

Bidet mixer
Chrome finish

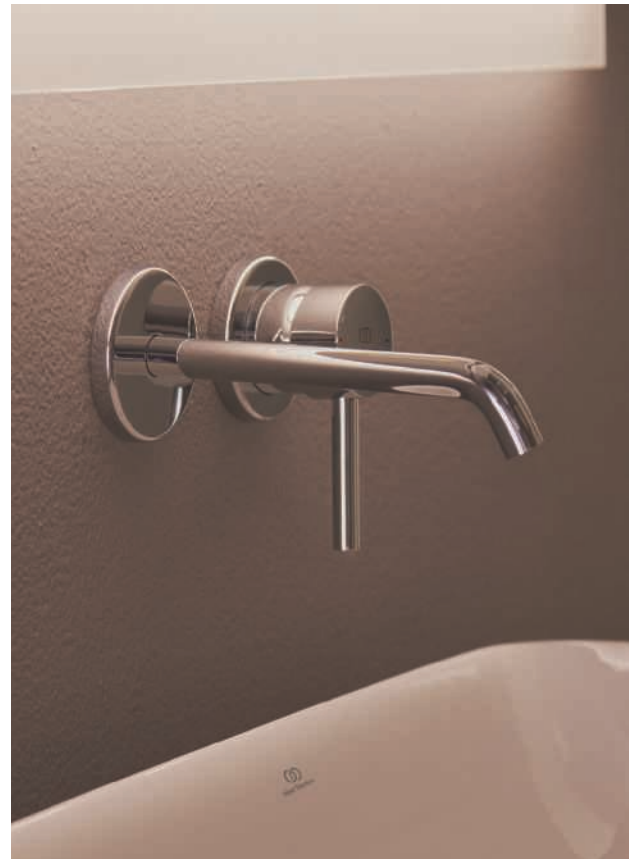


CERALINE

Built-in basin mixer
Chrome finish

—
CONNECT AIR

Oval vessel





**AN ORGANIC DESIGN BRINGING
SOFTNESS AND OPTIONS TO YOUR VISION.**



Basin Mixer



Vessel Mixer



High Spout Basin Mixer



Built-in Basin Mixer



Bidet Mixer



Exposed Shower Mixer



**Exposed Bath & Shower Mixer
with and without Accessories**



Built-in Shower Mixer



Built-in Bath Shower Mixer



4-hole Bath Shower Mixer with Spout



**Silk Black
ZT**

For colour reference, please see technical pages.

- Ceraline** - vessel basin mixer
- Strada II** - vessel basin 40 cm
- Adapto** - console unit 120 cm - wood light brown Adapto - 2 x side unit 50 cm - wood light brown
- Adapto** - towel holder
- Mirror with light** - 120 cm

CERALINE

Exposed shower mixer
Chrome finish

—

ULTRA FLAT S

1700 mm shower tray
pure white

—

IDEAL RAIN EVO

Round 3 function hand spray







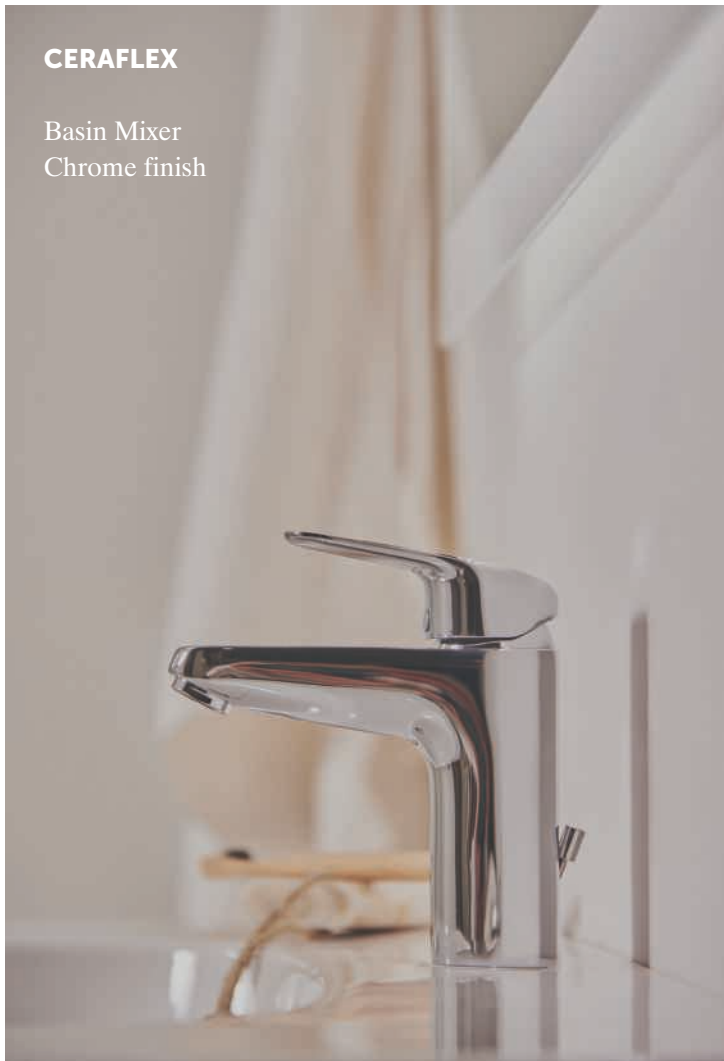
Ceraflex

PRECISION ENGINEERING

Ceraflex is a modern solution suitable for everything from basins, and bidets to showers. These elegant, slim taps and fixtures are easy to fit and maintain, and will save money on water and energy costs throughout their long lives.

CERAFLEX

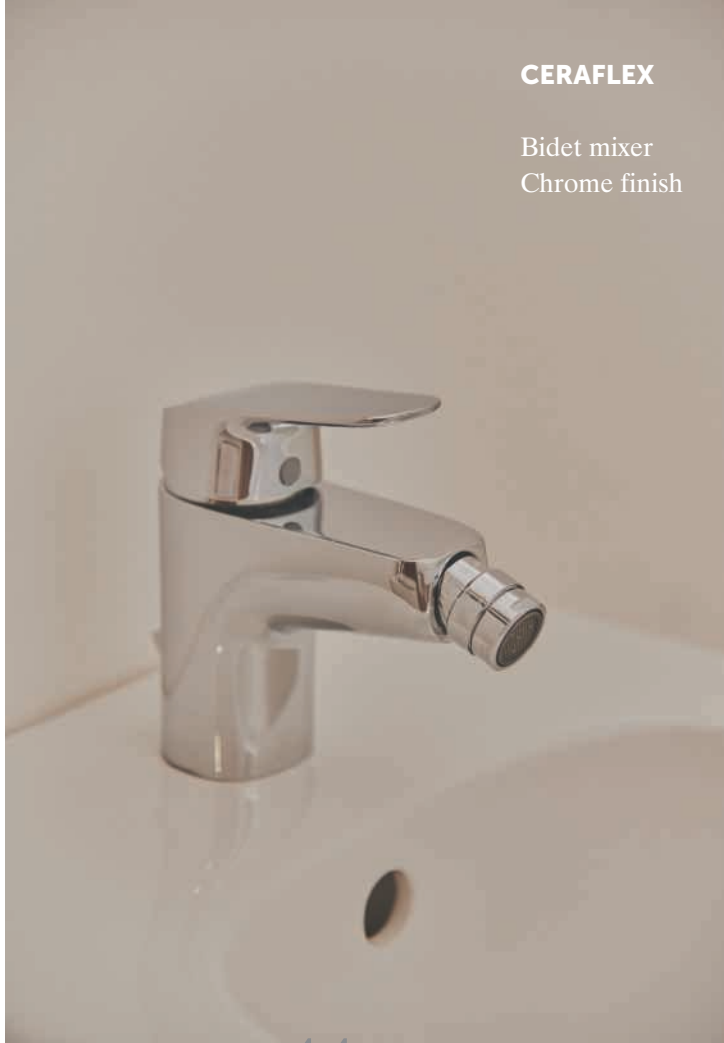
Basin Mixer
Chrome finish



**THE TAP THAT
WILL LAST
FOR YEARS**

CERAFLEX

Bidet mixer
Chrome finish



With its effortless style, simplicity and efficiency, Ceraflex is the smart choice for a reliable fitting.

CERAFLEX

Vessel Mixer
Chrome finish

—
STRADA

Round Basin







Basin Mixer



Grande Basin Mixer



Vessel Mixer



Built-In Basin Mixer Kit 2



Exposed Basin Mixer



Bidet Mixer



Exposed Shower Mixer



Exposed Bath & Shower Mixer with and without Accessories



Exposed Bath & Shower Mixer with Long Spout



Bath & Shower Mixer with Accessories



4-hole Bath & Shower Mixer with Accessories



Built-in Shower Mixer



Built-in Bath & Shower Mixer

Engineered with the future in mind

FIRMAFLOW®

1969 WAS A LANDMARK YEAR WHEN OUR ENGINEERS PIONEERED THE CERAMIC DISC CARTRIDGE TO CREATE A UNIQUE DRIP-FREE, EASY-TO-USE AND INCREDIBLY DURABLE SINGLE LEVER TAP.

TODAY WE KEEP BRINGING MEANINGFUL INNOVATIONS TO THE MARKETS TO ENSURE OUR TAPS ARE NOT ONLY EFFICIENT BUT ALSO OFFER SUSTAINABLE FEATURES AS WELL AS COMFORT.

EcoFlow regulator

01

WATER IS A PRECIOUS RESOURCE.
SAVE WATER WITH ECOFLOW.
OUR ECO FLOW REGULATOR REDUCES
THE WATER CONSUMPTION DOWN TO 5L/MIN, WITHOUT COMPROMISING ON COMFORT.

02

Easyfix® installation

EASY AND FAST TO INSTALL
EASYFIX® MAKES INSTALLATION SIMPLE WITH ITS RELIABILITY REDUCING
MAINTENANCE AND CUTTING INSTALLATION TIME BY 30%.

Lightmove

03

SUPERIOR PINPOINT PRECISION OVER WATER TEMPERATURE.
THE FIRMAFLOW® CARTRIDGE ENABLES FINER TEMPERATURE ADJUSTMENTS BETWEEN 34°C AND 42°C. PRECISION IS PARAMOUNT WITH LIGHTMOVE®, IMPROVING TAP HANDLE USABILITY, WHILST THE IN-BUILT HOT WATER LIMITER MAKES SCALDING A THING OF THE PAST.

04

Smartshine® finishing

SMARTSHINE® FINISHING ALLOWS OUR CHROME TO LAST LONGER.
IT MAKES OUR TAPS EASY TO CLEAN AND EASY TO MAINTAIN.



TESTED TO THE LIMIT FOR UNLIMITED PERFORMANCE

Performance & Durability

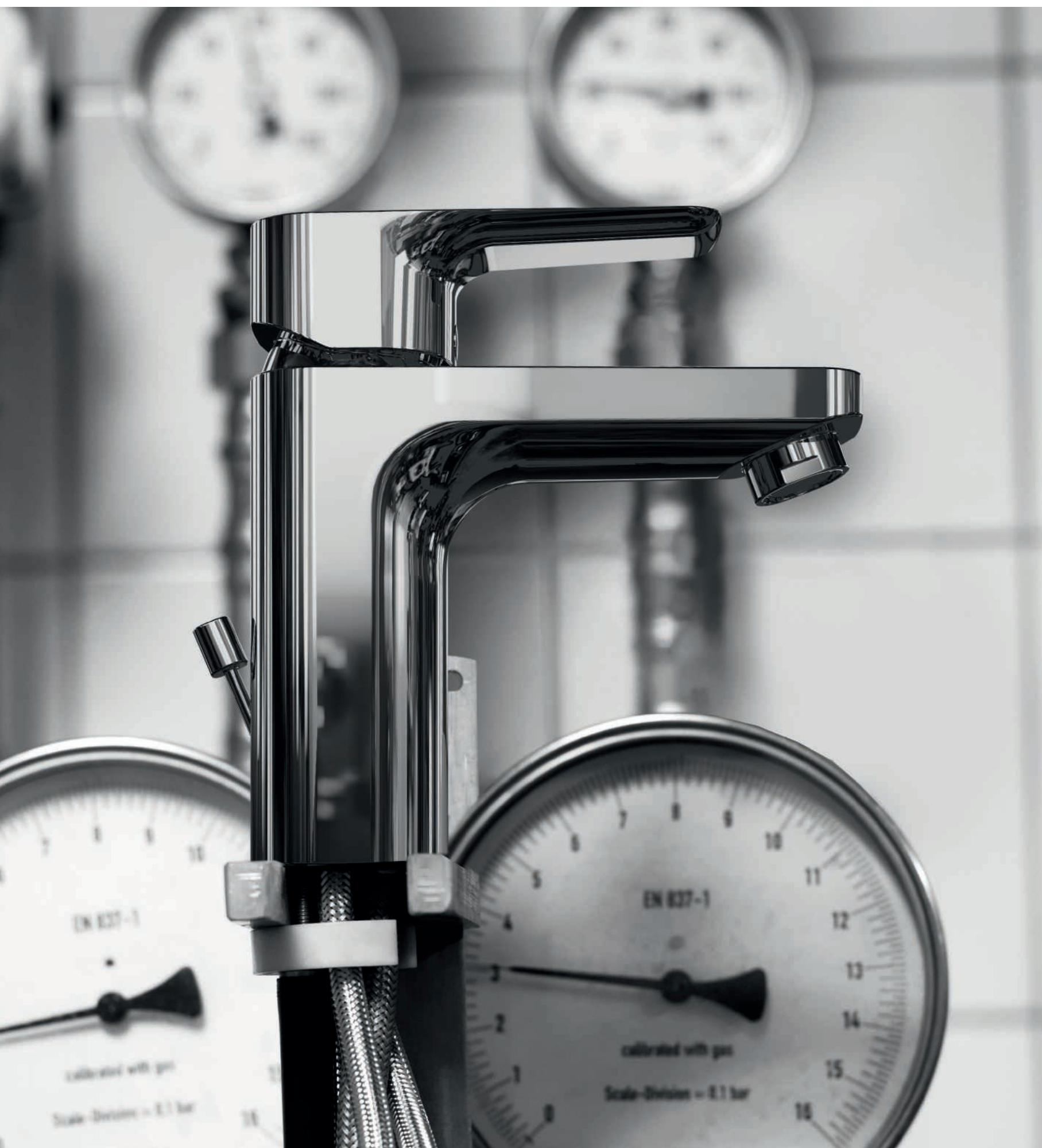
Our ceramic disc
cartridge undergoes
45 separate
performance tests.

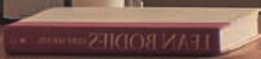
We test for pressure, temperature,
noise and endurance to prove what
we already know: it's the most
durable, reliable, high-performance
product on the market.



Right: Testing FirmaFlow®









Ceratherm T *and* C

THE ULTIMATE EXPERIENCE

Ceratherm T includes a range of different options to inspire your shower installation.

Make your bathroom the focal point of your home and make every day an incredible experience by combining

with our diverter shower mixers or Easymount rails and enhance with our Idealrain Evo and Evo Jet handsprays.

Whether you're overhauling an old space or creating a brand new one, you can do it all with our Ceratherm family.



CERATHERM T50

Exposed
Bath & Shower mixer





CHOOSING YOUR SHOWER SOLUTION FROM THE CERATHERM FAMILY GIVES YOU A RANGE OF INCREDIBLE BENEFITS. EASILY INSTALLED IN ALMOST ANY LOCATION IT HAS A STREAMLINED DESIGN, COMMON CONNECTIONS AND ADJUSTABLE FITTINGS.



CERATHERM T50

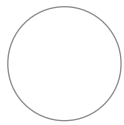
thermostatic shower mixer with shelf





ALL THE THERMOSTATIC MODELS COME WITH COOL BODY TECHNOLOGY,
WHICH WILL HELP PROTECT EVERYONE IN THE FAMILY FROM
ACCIDENTAL SCALDING.

Ceratherm T



CERATHERM T100

Ceratherm C



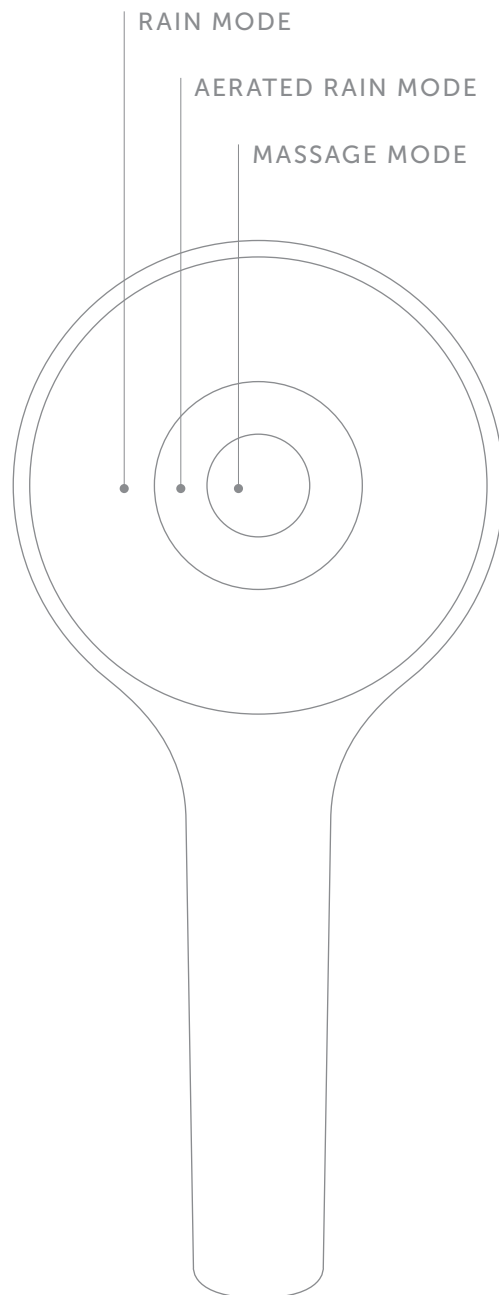
CERATHERM C100



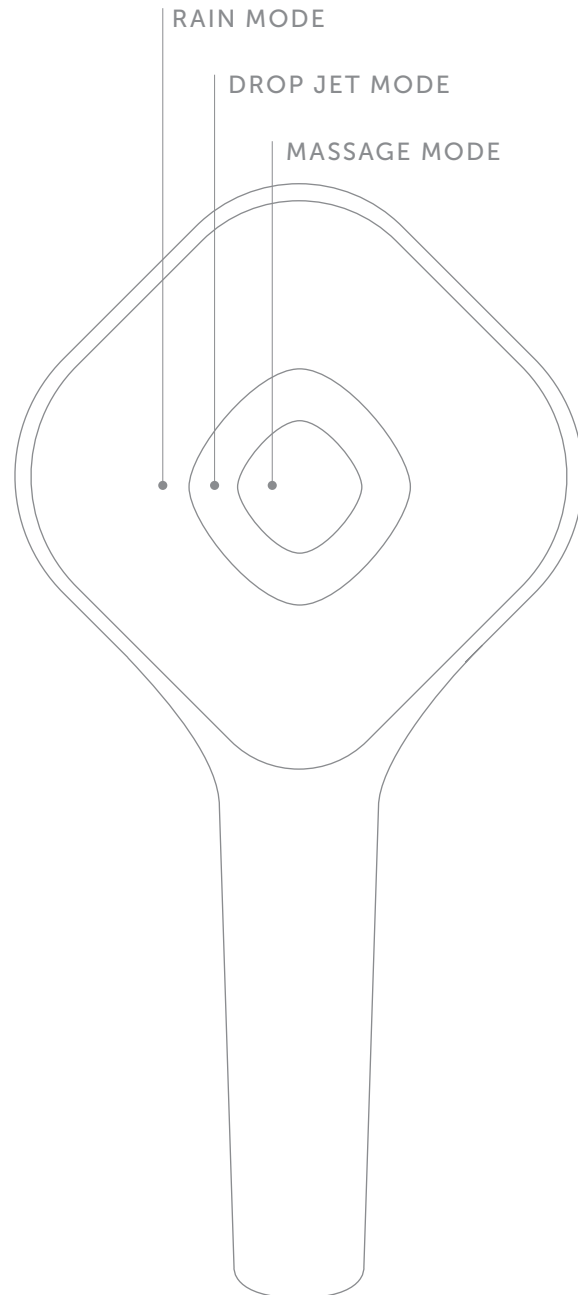
Performance _ showers

Idealrain *Evo* and *Evo Jet*

**TWO HIGH PERFORMANCE
MODELS TO ENHANCE YOUR
SHOWERING EXPERIENCE**



Evo round



Evo Jet diamond



Idealrain *Evo*

THE IDEALRAIN RANGE EFFORTLESSLY COMPLEMENTS OUR THERMOSTATIC DIVERTER MIXER SHOWER SYSTEMS.

EVO HAS AN AERATED SPRAY MODE.

USING THE NAVIGO® PUSH BUTTON LOCATED ON THE HANDSPRAY, SWITCHING BETWEEN MODES COULDN'T BE EASIER.

IDEALRAIN PERFORMS BRILLIANTLY AND DELIVER DESIGN CHOICES SUITABLE FOR ANY BATHROOM.

Rain

CREATES A RELAXING DOWNPOUR THANKS TO NOZZLES THAT EXTEND UP TO THE SPRAY PLATE EDGE

01



Aerated

A SPRAY THAT SUCKS AIR INTO THE WATER FOR A GENTLER, CLEANSING EXPERIENCE.

02



Massage

THE MASSAGE SPRAY MODE DELIVERS A TRULY INVIGORATING EXPERIENCE

03



Idealrain *Evo Jet*

From *invigorating*
to *relaxing*

**EVO JET FEATURES DROP JET,
A UNIQUE PATTERN FROM IDEAL STANDARD,
CREATING LARGER, SOFTER DROPLETS
FOR ADDED LUXURY.**

Rain

CREATES A RELAXING DOWNPOUR
THANKS TO NOZZLES THAT EXTEND UP TO THE SPRAY PLATE EDGE

01



Drop Jet

DROP JET TECHNOLOGY CREATES
UNIQUE LARGE AND SOFT WATER DROPLETS
FOR A LUXURIOUS DE-STRESSING EXPERIENCE

02



Massage

THE MASSAGE SPRAY MODE DELIVERS
A TRULY INVIGORATING EXPERIENCE

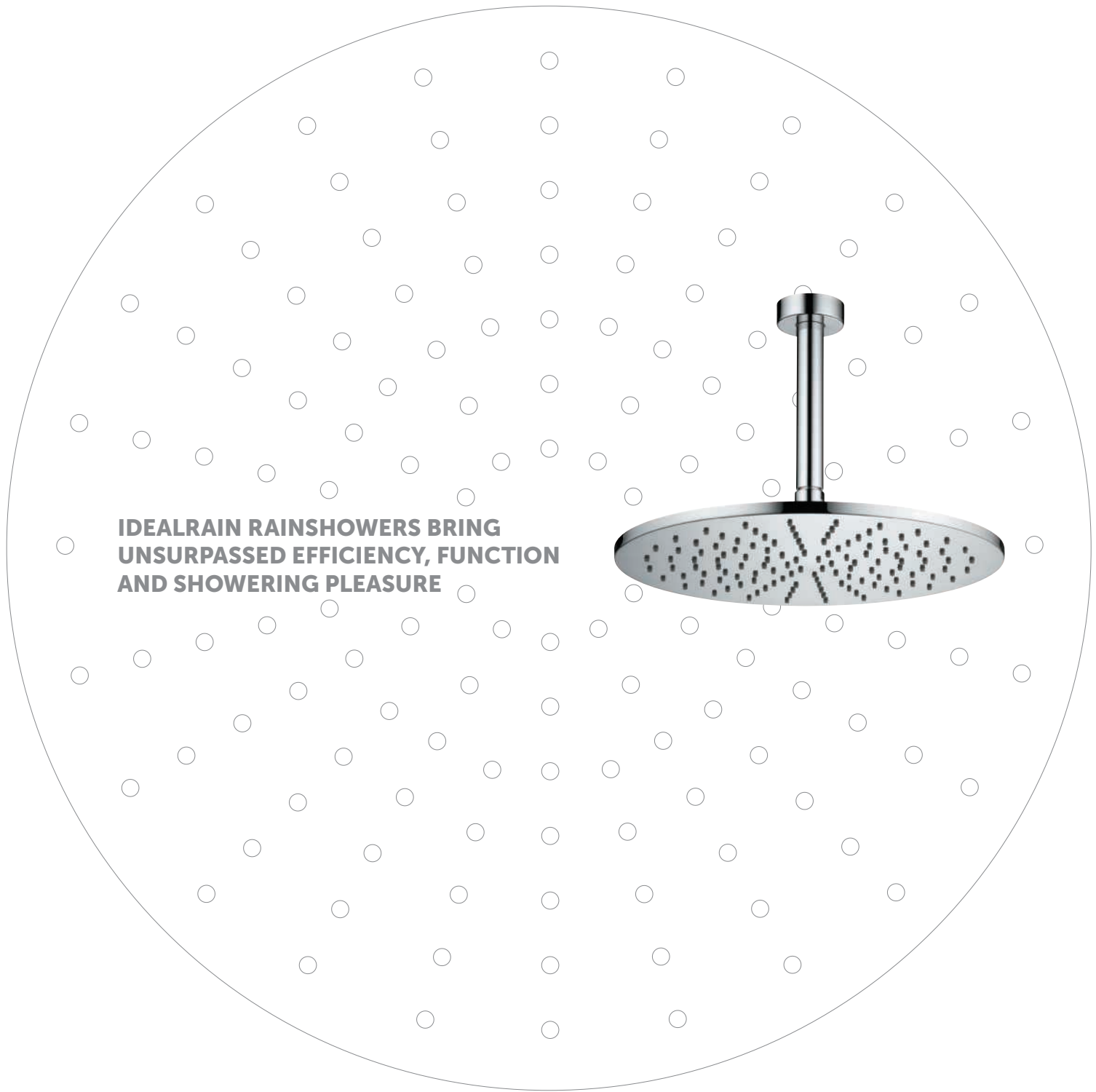
03







Idealrain *rainshowers*



**IDEALRAIN RAINSHOWERS BRING
UNSURPASSED EFFICIENCY, FUNCTION
AND SHOWERING PLEASURE**

Powering the everyday

IDEAL STANDARD'S SHOWER SOLUTIONS PERFORMS BEAUTIFULLY, BECAUSE WE DESIGN EVERY MODEL FROM THE INSIDE OUT. YOU CAN INSTALL WITH CONFIDENCE AND EASE. WHILE ENJOYING UNRIVALLED LEVELS OF SAFETY AND PERFORMANCE. OUR SHOWER SYSTEMS ARE FITTED WITH FIRMAFLOW® THERM, THE MOST DURABLE THERMOSTATIC CARTRIDGE. THE ERGONOMIC DESIGN OF OUR PRODUCTS DELIVERS THE PERFECT EXPERIENCE, DAY AFTER DAY.

EcoFlow regulator

01

WATER IS A PRECIOUS RESOURCE. SAVE WATER WITH ECOFLOWOUR CERATHERM THERMOSTATS FEATURE AN ECO-SETTING, ALLOWING YOU TO LIMIT FLOW UP TO 50% WITHOUT ANY LOSS OF PERFORMANCE. AND OUR IDEALRAIN HANDSPRAYS ARE FITTED WITH A FLOW RESTRICTOR (8L /MIN) TO PROVIDE MAXIMUM WATER EFFICIENCY.

02

Temperature control

JUST RIGHT, EVERY TIME. SHOULD THE HOT OR COLD WATER SUPPLY UNEXPECTEDLY CUT OFF, THE WATER FLOW WILL STOP AUTOMATICALLY TO PROTECT FROM SHOCKS AND SCALDS. ONLY RESTARTING, UNDER COMPLETE CONTROL, WHEN THE WATER SUPPLY RETURNS.

Easy clean

03

PEACE OF MIND. OUR HEAD SHOWERS AND HAND SHOWERS FEATURE SOFT RUB-CLEAN NOZZLES . THEY HELP REDUCE LIMESCALE AND FACILITATE CLEANING FOR A SHOWER THAT WILL LOOK GOOD FOR A LONG TIME.



Coolbody®

COOL BODY TECHNOLOGY TO ENSURE THE HOT WATER FLOW IS ALWAYS SURROUNDED BY COLD WATER. SO WHATEVER YOUR PERFECT TEMPERATURE IS, THE CERATHERM T BODY STAYS COOL TO THE TOUCH AT ALL TIMES. GIVING TOTAL PEACE OF MIND, PROTECTING USERS OF ALL AGES FROM SCALDING.



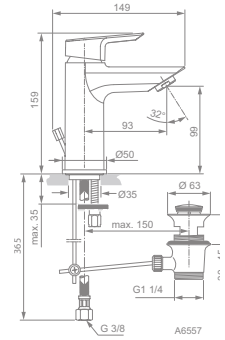
Technical information

BASIN MIXER



MODEL	SKU
Single lever basin mixer with metal pop-up waste	A6557AA
Single lever basin mixer, BlueStart®, with metal pop-up waste	A6558AA

- 28 mm ceramic cartridge
- Cascade aerator 5 l/min
- Easyfix system for installation
- Flexible hoses G3/8"
- Finish: Chrome

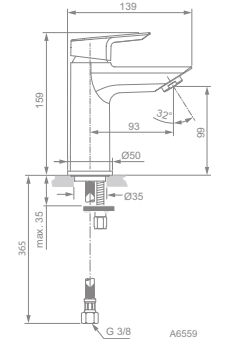


BASIN MIXER



MODEL	SKU
Single lever basin mixer without pop-up waste	A6559AA
Single lever basin mixer, BlueStart®, without pop-up waste	A6560AA

- 28 mm ceramic cartridge
- Cascade aerator 5 l/min
- Easyfix system for installation
- Flexible hoses G3/8"
- Finish: Chrome

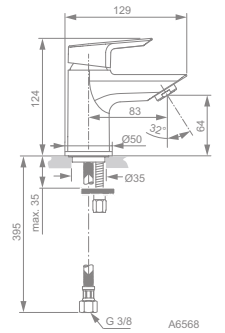


MINI BASIN MIXER



MODEL	SKU
Single lever mini basin mixer	A6568AA

- 28 mm ceramic cartridge
- Cascade aerator 5 l/min
- Easyfix system for installation
- Flexible hoses G3/8"
- Finish: Chrome

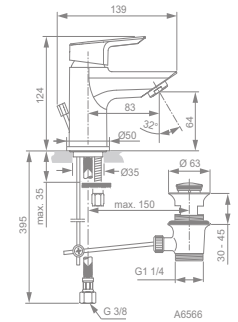


MINI BASIN MIXER



MODEL	SKU
Single lever mini basin mixer with pop-up waste	A6566AA

- 28 mm ceramic cartridge
- Cascade aerator 5 l/min
- Easyfix system for installation
- Flexible hoses G3/8"
- Finish: Chrome

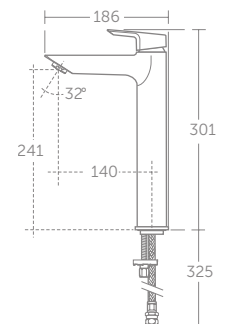


VESSEL BASIN MIXER



MODEL	SKU
Single lever vessel basin mixer	A6575AA

- 28 mm ceramic cartridge
- Cascade aerator with 5 l/min flow rate limiter
- Flexible hoses G3/8"
- Easy-Fix system for installation
- Finish: Chrome

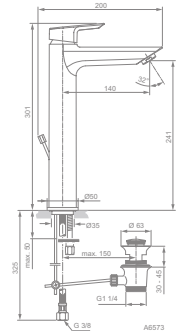


VESSEL BASIN MIXER

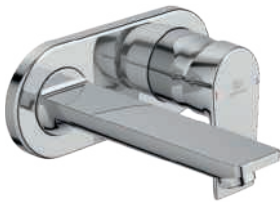


MODEL	SKU
Single lever vessel basin mixer with metal pop-up waste	A6573AA

- 28 mm ceramic cartridge
- Cascade aerator with 5 l/min flow rate limiter
- Metal pop-up waste
- Flexible hoses G3/8"
- Easy-Fix system for installation
- Finish: Chrome

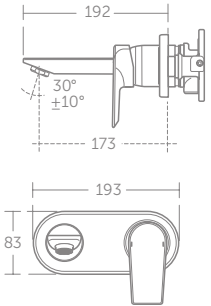


BUILT-IN BASIN MIXER



MODEL	SKU
Single lever built in basin mixer*	A6578AA
Basin mixer built in kit	A5948NU

- 47 mm IS Cartridge
- Cast spout 172 mm
- Cascade aerator with 5 l/min
- A6578AA requires kit A5948NU

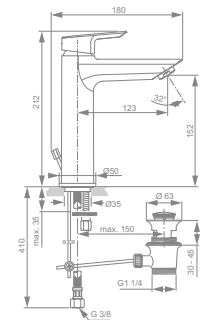


BASIN MIXER GRANDE



MODEL	SKU
Single lever basin mixer Grande, metal pop-up waste	A6563AA
Single lever basin mixer Grande, metal pop-up waste, for low pressure ND	A6562AA

- IS 28 mm ceramic cartridge
- Temperature limiter – integrated in the box
- Cascade aerator with 5 l/min flow rate limiter
- Flexible hoses G3/8"
- Easy-Fix system for installation
- Finish: Chrome

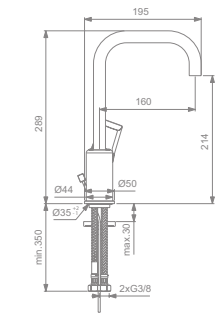


HIGH SPOUT BASIN MIXER



MODEL	SKU
High spout basin mixer	A6571AA

- 28 mm ceramic cartridge
- Tubular spout U 160
- Cascade aerator with 5 l/min flow rate limiter
- Metal pop-up waste
- Flexible hoses G3/8"
- Easy-Fix system for installation
- Finish: Chrome

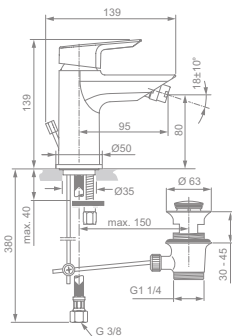


BIDET MIXER



MODEL	SKU
Single lever bidet mixer with metal pop-up waste	A6579AA

- 28 mm ceramic cartridge
- Ball-joint aerator
- Metal pop-up waste
- Flexible hoses G3/8"
- Easy-Fix system for installation
- Finish: Chrome



Mixers & Taps 5 Year Guarantee

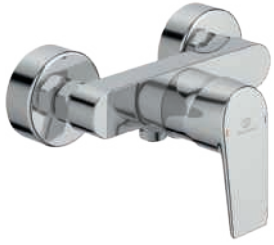


Water Saving



Temperature Limit Stop

EXPOSED SHOWER MIXER



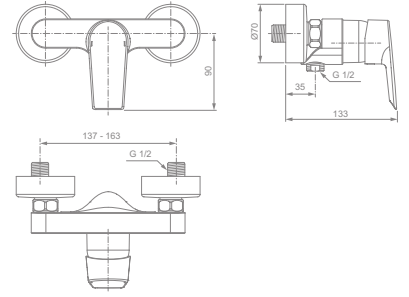
MODEL

Exposed shower mixer

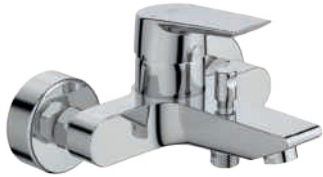
SKU

A6581AA

- 38 mm cartridge FirmaFlow® ISI with hot water limiter
- Standard S-Connection
- Check valve
- Finish: Chrom



EXPOSED BATH SHOWER MIXER



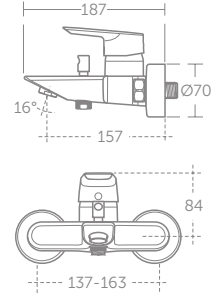
MODEL

Exposed bath&shower mixer

SKU

A6583AA

- 38 mm cartridge FirmaFlow® with hot water limiter
- Automatic diverter
- Standard S-Connection
- Cascade aerator
- Check valve
- Finish: Chrome



BUILT-IN SHOWER MIXER



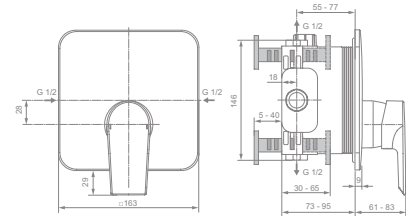
MODEL

Kit 2 (visible part), Chrome
Kit 1 (built-in part) Easybox

SKU

A6585AA
A1000NU

- 47 mm IS Cartridge Click
- Plastic escutcheon
- Finish: Chrome



BUILT-IN BATH & SHOWER MIXER



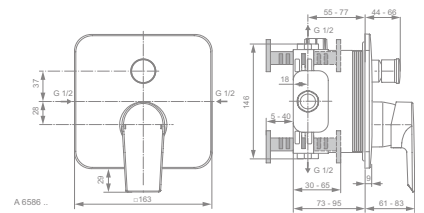
MODEL

Kit 2 (visible part), Chrome
Kit 1 (built-in part) Easybox

SKU

A6586AA
A1000NU

- 38 mm cartridge FirmaFlow® with hot water limiter
- Automatic diverter
- Standard S-Connection
- Cascade aerator
- Check valve
- Finish: Chrome



Mixers & Taps 5 Year Guarantee



Water Saving



Temperature Limit Stop



Easyfix



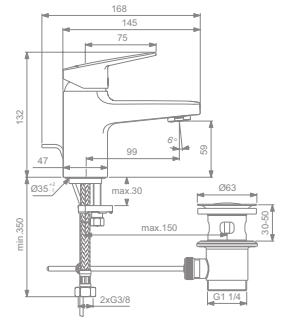
High Pressure

ONE-HOLE BASIN MIXER H60



MODEL	SKU
Metal pop-up waste	BD204AA
Metal pop-up waste, Easyfix+	BD273AA
Bluestart, with metal pop-up waste	BD205AA
Bluestart, without pop-up waste	BD201AA
BlueStart, plastic pop-up waste	BD203AA
Plastic pop-up waste	BD202AA
Without pop-up waste	BD200AA
Push Click Waste	BD206AA

- 38 mm FirmaFlow® ceramic cartridge
- Slim aerator 5 l/min
- Easyfix system for installation (BD273AA with Easyfix+)
- Flexible hoses G3/8"
- Finish: Chrome

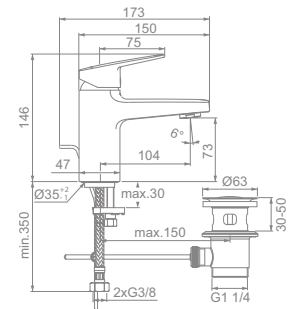


ONE-HOLE BASIN MIXER H70



MODEL	SKU
Basin mixer rim mounted H70 with pop-up waste; ND (Low Pressure application)	BD217AA

- 38 mm ceramic cartridge Firma Flow with hot water limiter
- Slim aerator 5l/min
- Easy fix system for installation
- Flexible hoses G3/8" for water supply connection
- Metal pop-up waste
- Finish: Chrome

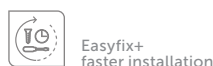
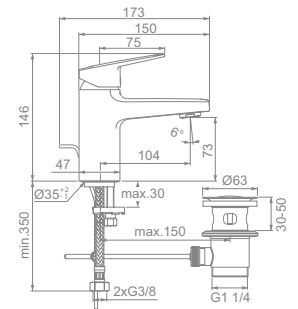


ONE-HOLE BASIN MIXER H75



MODEL	SKU
Metal pop-up waste	BD214AA
Metal pop-up waste, Easyfix+	BD274AA
Chain with rubber waste cap	BD210AA
Without pop-up waste	BD209AA
BlueStart, with metal pop-up waste	BD215AA
Push click waste	BD216AA
BlueStart, without pop-up waste	BD211AA
Plastic pop-up waste	BD212AA
BlueStart, with plastic pop-up waste	BD213AA
Metal pop-up waste and medical handle	BD218AA

- 38 mm FirmaFlow® ceramic cartridge
- Slim aerator 5 l/min
- Easyfix system for installation (BD274AA with Easyfix+)
- Flexible hoses G3/8"
- Finish: Chrome

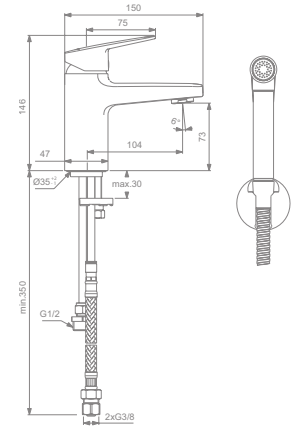


BASIN MIXER RIM MOUNTED H75 WITH SIDE SPRAY



MODEL	SKU
Side spray	BD231AA

- 38 mm FirmaFlow® ceramic cartridge with hot water limiter
- Slim aerator 5 l/min
- Easyfix system for installation
- Flexible hoses G3/8" for water supply connection
- Side Spray
- Metal shower hose 1350 mm
- Fixed wall bracket for hand spray
- Finish: Chrome

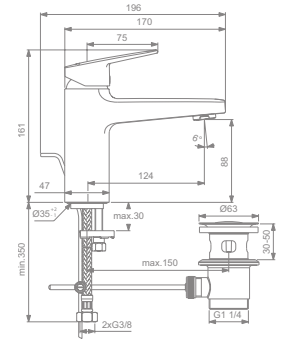


ONE-HOLE BASIN MIXER H90



MODEL	SKU
Metal pop-up waste	BD227AA
Metal pop-up waste, Easyfix+	BD276AA
Push click waste	BD229AA
Chain with rubber waste cap	BD223AA
Without pop-up waste	BD222AA
BlueStart, with metal pop-up waste	BD228AA
BlueStart, without pop-up waste	BD224AA
Plastic pop-up waste	BD225AA
BlueStart, with plastic pop-up waste	BD226AA

- 38 mm FirmaFlow® ceramic cartridge
- Slim aerator 5 l/min
- Easyfix system for installation (BD276AA with Easyfix+)
- Flexible hoses G3/8"
- Finish: Chrome

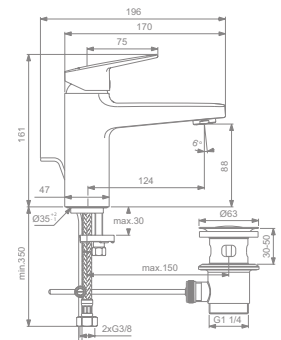


ONE-HOLE BASIN MIXER H85



MODEL	SKU
Metal pop-up waste	BD232AA
Metal pop-up waste; ND (Low Pressure application)	BD230AA

- 38mm ceramic cartridge Firma Flow with hot water limiter
- Slim aerator 5l/min (BD230AA)
- Easy fix system for installation
- Flexible hoses G3/8" for water supply connection
- Metal pop-up waste
- Finish: Chrome



Smart-Shine



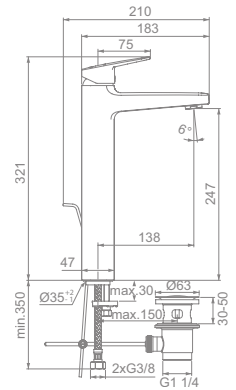
Lightmove®

ONE-HOLE VESSEL MIXER H250



MODEL	SKU
Metal pop-up waste	BD238AA
Metal pop-up waste, Easyfix+	BD277AA
Without pop-up waste	BD236AA
BlueStart, without pop-up waste	BD237AA
BlueStart, with metal pop-up waste	BD239AA

- 38 mm FirmaFlow® ceramic cartridge
- Slim aerator 5 l/min
- Easyfix system for installation (BD277AA with Easyfix+)
- Flexible hoses G3/8"
- Finish: Chrome

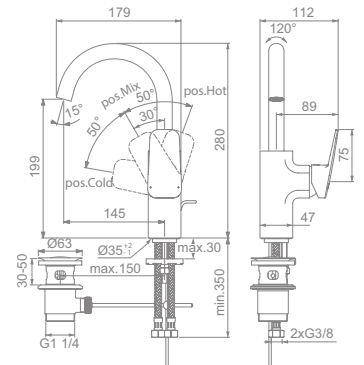


ONE HOLE BASIN MIXER WITH TUBULAR SPOUT H200



MODEL	SKU
Metal pop-up waste	BD235AA
Without pop-up waste	BD234AA

- 38 mm FirmaFlow® ceramic cartridge
- Cache aerator 5 l/min
- R180 mm tubular spout rotating 120°
- Easyfix system for installation
- Flexible hoses G3/8"
- Finish: Chrome

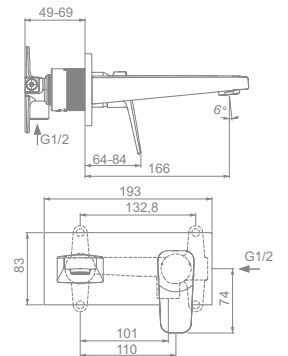


BUILT-IN BASIN MIXER



MODEL	SKU
Kit 2 version (visible parts), Chrome	BD244AA
Kit 1 (built-in part)	A1313NU

- 28 mm FirmaFlow® ceramic cartridge
- Aerator 5 l/min
- Cast spout 180 mm
- Metal handle and escutcheon

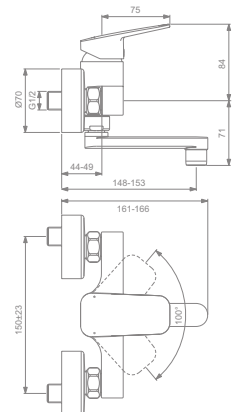


EXPOSED BASIN MIXER



MODEL	SKU
Swiveling tubular spout 110 mm, Chrome	BD241AA

- 38 mm FirmaFlow® ceramic cartridge
- Standard S-connectors, metal cylindrical escutcheons
- Metal handle



Easyfix+
faster installation



BlueStart



Hot water
temperature
control



Water saving



Smart-
Shine

EXPOSED SHOWER MIXER



MODEL

Without accessories, Chrome

Accessories

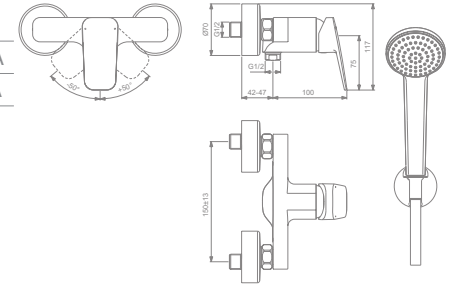
- 38 mm FirmaFlow® ceramic cartridge
- Standard S-connections
- Cylindrical metal escutcheons
- Check valve
- Accessories: 1-functional hand spray; fixed wall bracket; 1500 mm metal shower hose



SKU

BD250AA

BD251AA



EXPOSED BATH&SHOWER MIXER



MODEL

Accessories, Chrome

Without accessories, Chrome

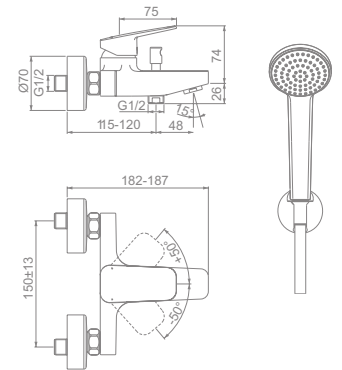
- A38 mm FirmaFlow® ceramic cartridge
- Automatic diverter bath/shower
- Standard S-connections
- Check valve
- Cylindrical metal escutcheons
- Accessories: 1-functional hand spray; fixed wall bracket; 1500 mm metal shower hose



SKU

BD258AA

BD256AA



ONE-HOLE BATH&SHOWER MIXER



MODEL

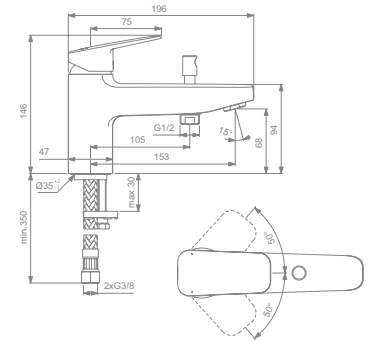
Rim mounted, Chrome

- 38 mm FirmaFlow® ceramic cartridge
- Automatic diverter bath/shower
- Easyfix system for installation
- Check valve
- Flexible hoses G3/8"



SKU

BD257AA



3-HOLE DUAL CONTROL BASIN MIXER



MODEL

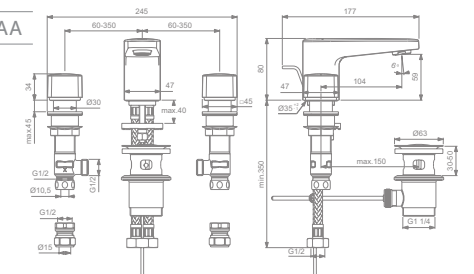
Deck mounted, with metal pop-up waste, Chrome

- 90° ceramic cartridges On/Off
- Cast spout 105 mm
- Aerator 5 l/min
- Metal handles



SKU

BD243AA



Lightmove®



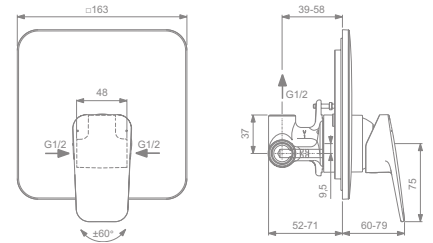
Click-technology

BUILT-IN SHOWER MIXER



MODEL	SKU
Kit 2 (visible part), Chrome	BD254AA
Kit 1 (built-in part) Easybox	A1000NU
Kit 1 + Kit 2 version (complete set)	BD252AA

- 47 mm Click-ceramic cartridge
- Chrome plated plastic escutcheon
- Check valve
- Built-in part EasyBox A1000NU

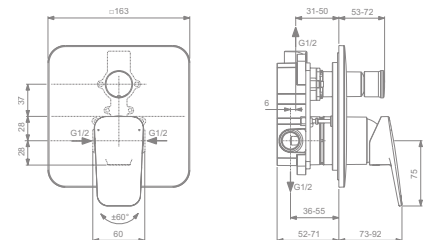


BUILT-IN BATH&SHOWER MIXER



MODEL	SKU
Kit 2 version based on A1000NU	BD263AA
Kit 1 (internal set) Easy Box	A1000NU
Kit 1 +Kit 2 version (complete set)	BD259AA

- 47 mm cartridge with hot water temperature control
- Chrome plated plastic escutcheon
- Automatic Diverter

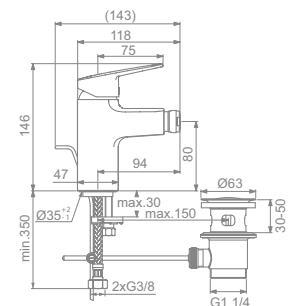


ONE-HOLE BIDET MIXER



MODEL	SKU
Metal pop-up waste, Easyfix+, Chrome	BD278AA
Metal pop-up waste, Easyfix, Chrome	BD248AA

- 38 mm FirmaFlow® ceramic cartridge
- Ball joint aerator 5l/min
- Easy fix system for installation



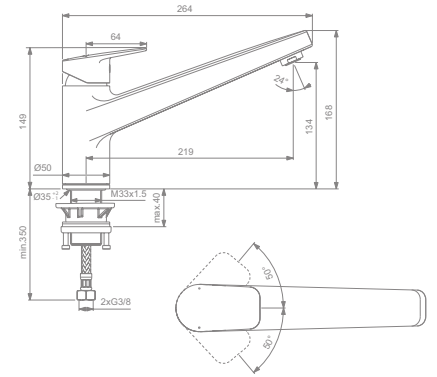
CERAPLAN KITCHEN MIXERS

ONE-HOLE KITCHEN MIXER, LOW CAST SPOUT



MODEL	SKU
Chrome	BD321AA
BlueStart, Chrome	BD323AA
ND low pressure, Chrome	BD322AA

- 28 mm FirmaFlow® ceramic cartridge
- Fully casted body and spout, swiveling
- U plate support bracket
- Comfort zone (height under aerator) 130 mm
- Shank fixation

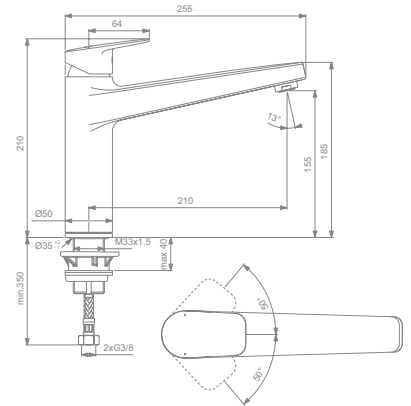


ONE-HOLE KITCHEN MIXER, HIGH CAST SPOUT



MODEL	SKU
Chrome	BD325AA
BlueStart, Chrome	BD327AA
ND low pressure, Chrome	BD326AA
For pre-window installation, Chrome	BD333AA

- 28 mm FirmaFlow® ceramic cartridge
- Fully casted body and spout, swiveling
- U plate support bracket
- Comfort zone (height under aerator) 160 mm
- Shank fixation

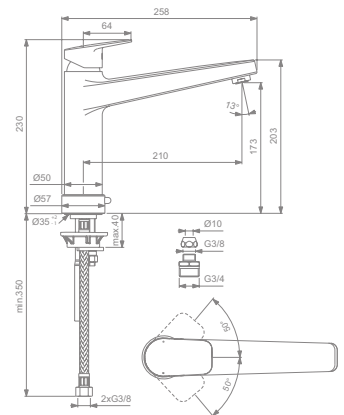


ONE-HOLE KITCHEN MIXER, WITH DISHWASHER VALVE



MODEL	SKU
High cast spout, Chrome	BD329AA

- 28 mm FirmaFlow® ceramic cartridge
- fully casted body and spout, swiveling
- U plate support bracket
- Comfort zone (height under aerator) 170 mm
- Check valve
- Easyfix system for installation

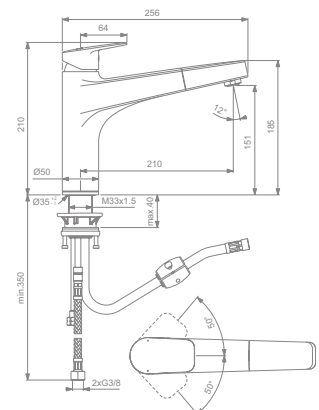


ONE-HOLE KITCHEN MIXER, HIGH CAST SPOUT, PULL-OUT



MODEL	SKU
Pull-out spout, Chrome	BD331AA
BlueStart, pull-out spout, Chrome	BD332AA
ND low pressure, pull-out spout, Chrome	BD330AA

- 28 mm FirmaFlow® ceramic cartridge
- Fully casted body and spout, swiveling
- U plate support bracket
- Comfort zone (height under aerator) 160 mm
- Pull-out hand spray 1 functional
- Shank fixation



Lightmove®



Kitchen Window Solution

CERAPLAN KITCHEN MIXERS

ONE-HOLE KITCHEN MIXER WITH TUBULAR SPOUT



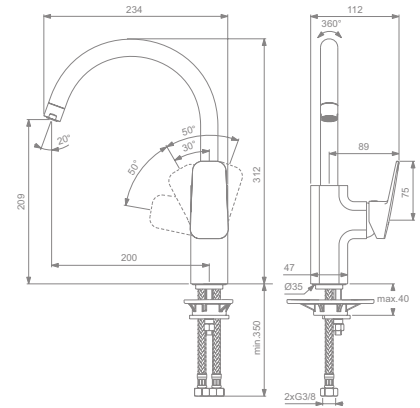
MODEL

R-tubular spout, Chrome
 ND low pressure, with R-tubular spot, Chrome

SKU

BD334AA
 BD335AA

- A8 mm FirmaFlow® ceramic cartridge
- Swiveling tubular spout R200 with D22 mm anti-lime scale silicone aerator
- Comfort zone (height under aerator) 210 mm
- Easyfix system for installation



ONE-HOLE KITCHEN MIXER WITH PULL-DOWN SPOUT



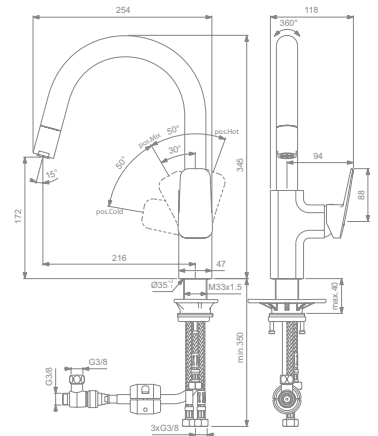
MODEL

Pull-down 1 functional spray, Chrome

SKU

BD337AA

- 38 mm FirmaFlow® ceramic cartridge
- Swiveling tubular spout R200
- Check valve
- Comfort zone (height under aerator) 170 mm
- Pull-down 1-functional spray
- Shank fixation



ONE-HOLE KITCHEN MIXER WITH PULL DOWN 2-FUNCTIONAL SPRAY SPOUT



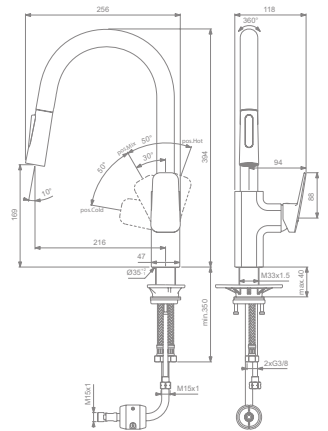
MODEL

Pull-down 2-functional spray, Chrome

SKU

BD338AA

- 38 mm FirmaFlow® ceramic cartridge
- Swiveling tubular spout R200
- Check valve
- Comfort zone (height under aerator) 170 mm
- Pull-down 2-functional spray
- Shank fixation



ONE-HOLE KITCHEN MIXER WITH TUBULAR SPOUT



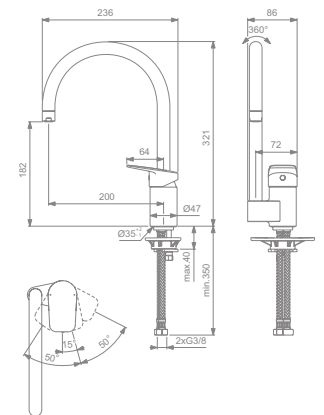
MODEL

R-tubular spout, Chrome

SKU

BD339AA

- 28 mm FirmaFlow® Keramikkartusche
- Swiveling tubular spout R200 with D22mm anti-lime scale silicone aerator
- Comfort zone (height under aerator) 180 mm
- Easyfix system for installation



BlueStart



Pull-out spray



Hot water temperature control



Ideal comfort



Water saving

CERAPLAN KITCHEN MIXERS

EXPOSED KITCHEN MIXER WITH TUBULAR SPOUT



MODEL

Swiveling tubular spout 160 mm, Chrome

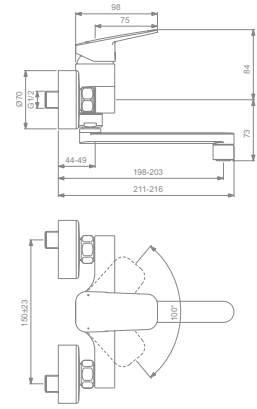
Swiveling tubular spout 200 mm, Chrome

SKU

BD341AA

BD340AA

- 38 mm FirmaFlow® ceramic cartridge
- Tubular spout with anti-lime scale silicone aerator
- Standard S- connectors with cylindrical escutcheons



Smart-Shine



Lightmove®

BASIN MIXER



MODEL

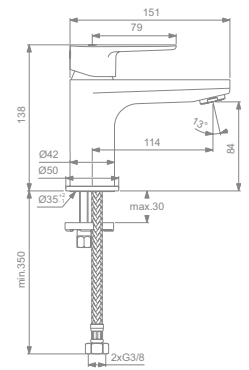
No pop-up waste

- FirmaFlow® ceramic disc cartridge
- EasyFix® system
- Slim aerator – 5l/min
- Supplied with flexible hoses G3/8 PEX
- SmartShine® Finishing
- LightMove® cartridge
- Comfort area: Height 80 mm



SKU

BC696AA



BASIN MIXER



MODEL

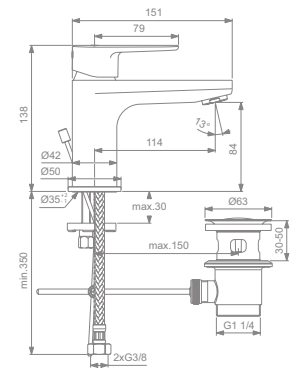
Metal pop-up waste

- FirmaFlow® ceramic disc cartridge
- EasyFix® system
- Slim aerator – 5l/min
- Supplied with flexible hoses G3/8 PEX
- SmartShine® Finishing
- LightMove® cartridge
- Comfort area: Height 80 mm



SKU

BC698AA



BASIN MIXER WITH BLUESTART® TECHNOLOGY



MODEL

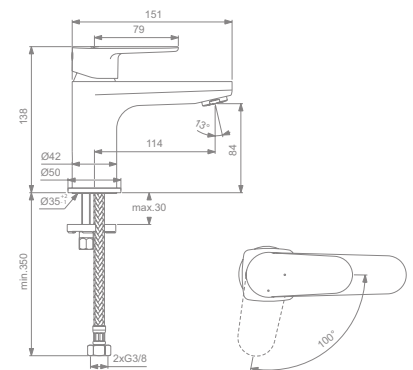
No pop-up waste

- BlueStart® Technology
- FirmaFlow® ceramic disc cartridge
- EasyFix® system
- Slim aerator – 5l/min
- Supplied with flexible hoses G3/8 PEX
- SmartShine® Finishing
- LightMove® cartridge
- Comfort area: Height 80 mm



SKU

BC697AA



GRANDE BASIN MIXER



MODEL

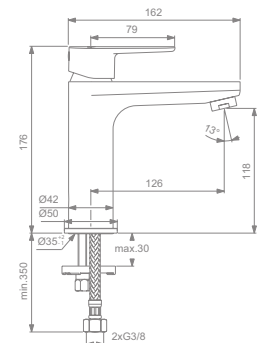
No pop-up waste

- FirmaFlow® ceramic disc cartridge
- EasyFix® system
- Slim aerator – 5l/min
- Supplied with flexible hoses G3/8 PEX
- SmartShine® Finishing
- LightMove® cartridge
- Comfort area: Height 120 mm



SKU

BC554AA



Easyfix



Water Saving



Click Technology



Blue Start



Smart Shine



Light Move

CERAFINE O

GRANDE BASIN MIXER



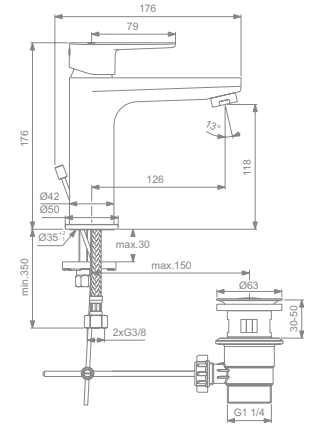
MODEL

- Plastic pop-up waste
- Metal pop-up waste

SKU

- BC496AA
- BC699AA

- FirmaFlow® ceramic disc cartridge
- EasyFix® system
- Slim aerator – 5l/min
- Supplied with flexible hoses G3/8 PEX
- SmartShine® Finishing
- LightMove® cartridge
- Comfort area: Height 120 mm



GRANDE BASIN MIXER



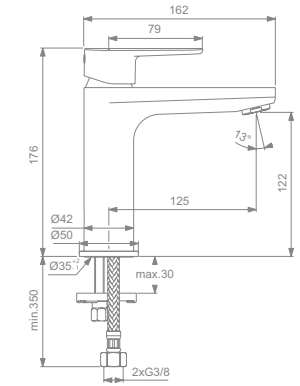
MODEL

- No pop-up waste

SKU

- BC554XG

- FirmaFlow® ceramic disc cartridge
- EasyFix® system
- Slim aerator – 5l/min
- Supplied with flexible hoses G3/8 PEX
- Finish: powder coating, Silk Black
- LightMove® cartridge



GRANDE BASIN MIXER WITH BLUESTART® TECHNOLOGY



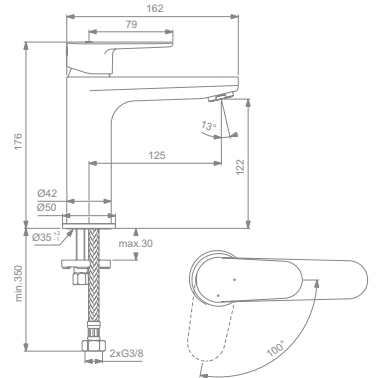
MODEL

- No pop-up waste

SKU

- BC700AA

- BlueStart® Technology
- FirmaFlow® ceramic disc cartridge
- EasyFix® system
- Slim aerator – 5l/min
- Supplied with flexible hoses G3/8 PEX
- SmartShine® Finishing
- LightMove® cartridge
- Comfort area: Height 120 mm



GRANDE BASIN MIXER



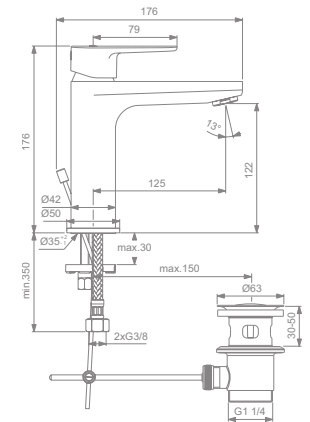
MODEL

- Metal pop-up waste

SKU

- BC699XG

- FirmaFlow® ceramic disc cartridge
- EasyFix® system
- Slim aerator – 5l/min
- Supplied with flexible hoses G3/8 PEX
- Finish: powder coating, Silk Black
- LightMove® cartridge



Easyfix



Water Saving



Click Technology



Blue Start



Smart Shine



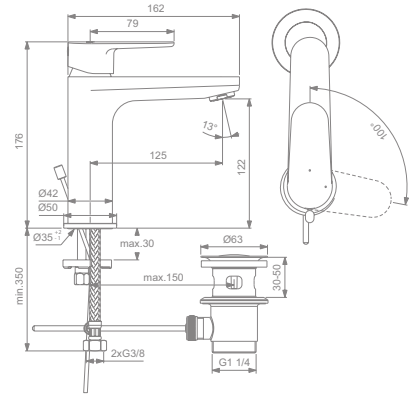
Light Move

GRANDE BASIN MIXER WITH BLUESTART® TECHNOLOGY



MODEL	SKU
Plastic pop-up waste	BC701AA
Metal pop-up waste	BC702AA

- BlueStart® Technology
- FirmaFlow® ceramic disc cartridge
- EasyFix® system
- Slim aerator – 5l/min
- Supplied with flexible hoses G3/8 PEX
- SmartShine® Finishing
- LightMove® cartridge
- Comfort area: Height 120 mm

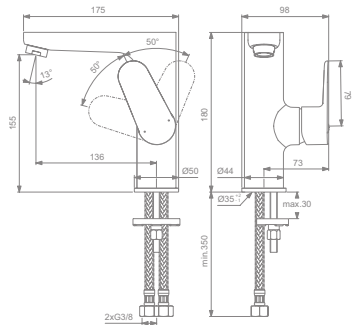


SIDE HANDLE GRANDE BASIN MIXER



MODEL	SKU
No pop-up waste	BC555AA

- FirmaFlow® ceramic disc cartridge
- EasyFix® system
- Slim aerator – 5l/min
- Supplied with flexible hoses G3/8 PEX
- SmartShine® Finishing
- LightMove® cartridge
- Comfort area: Height 155 mm

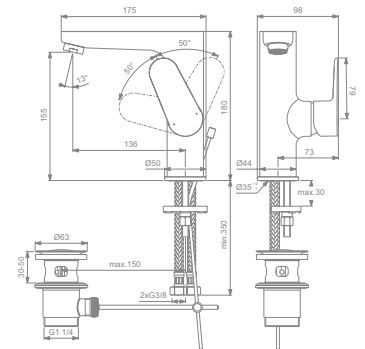


SIDE HANDLE GRANDE BASIN MIXER



MODEL	SKU
Plastic pop-up waste	BC703AA
Metal pop-up waste	BC497AA

- FirmaFlow® ceramic disc cartridge
- EasyFix® system
- Slim aerator – 5l/min
- Supplied with flexible hoses G3/8 PEX
- SmartShine® Finishing
- LightMove® cartridge
- Comfort area: Height 155 mm

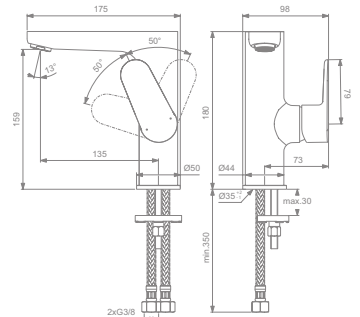


SIDE HANDLE GRANDE BASIN MIXER



MODEL	SKU
No pop-up waste	BC555XG

- FirmaFlow® ceramic disc cartridge
- EasyFix® system
- Slim aerator – 5l/min
- Supplied with flexible hoses G3/8 PEX
- Finish: powder coating, Silk Black
- LightMove® cartridge
- Comfort area: Height 155 mm



CERAFINE O

SIDE HANDLE GRANDE BASIN MIXER



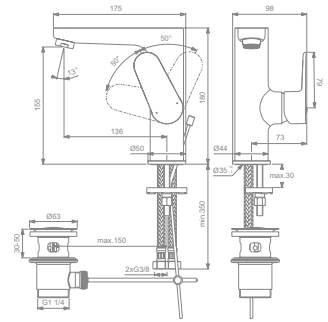
MODEL

Metal pop-up waste

SKU

BC703XG

- FirmaFlow® ceramic disc cartridge
- EasyFix® system
- Slim aerator – 5l/min
- Supplied with flexible hoses G3/8 PEX
- Finish: powder coating, Silk Black
- LightMove® cartridge
- Comfort area: Height 155 mm



BUILT-IN BASIN MIXER



MODEL

Kit 2 version (visible parts)

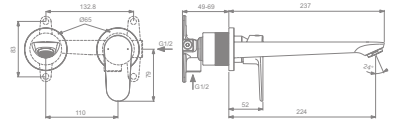
SKU

BD133AA

Kit 1 (built-in part)

A1313NU

- 28 mm FirmaFlow® ceramic cartridge
- Aerator 5 l/min
- Cast spout 224 mm
- Metal handle and escutcheon



BUILT-IN BASIN MIXER



MODEL

Kit 2 version (visible parts)

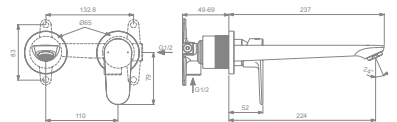
SKU

BD133XG

Kit 1 (built-in part)

A1313NU

- 28 mm FirmaFlow® ceramic cartridge
- Aerator 5 l/min
- Cast spout 224 mm
- Metal handle and escutcheon
- Finish: powder coating, Silk Black



BIDET MIXER



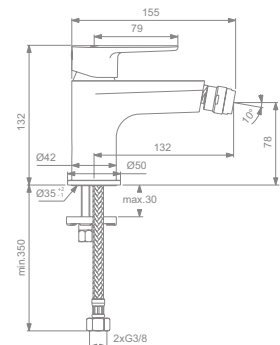
MODEL

No pop-up waste

SKU

BC704AA

- FirmaFlow® ceramic disc cartridge
- EasyFix® system
- Slim aerator – 5l/min
- Supplied with flexible hoses G3/8 PEX
- SmartShine® Finishing
- LightMove® cartridge



CERAFINE O

BIDET MIXER



MODEL

Plastic pop-up waste

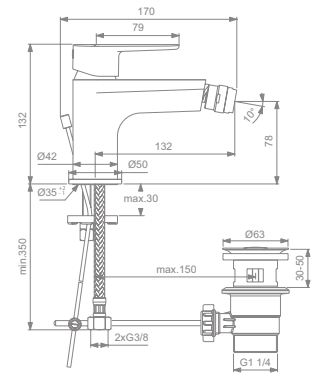
Metal pop-up waste

SKU

BC498AA

BC705AA

- FirmaFlow® ceramic disc cartridge
- EasyFix® system
- Slim aerator – 5l/min
- Supplied with flexible hoses G3/8 PEX
- SmartShine® Finishing
- LightMove® cartridge



BIDET MIXER



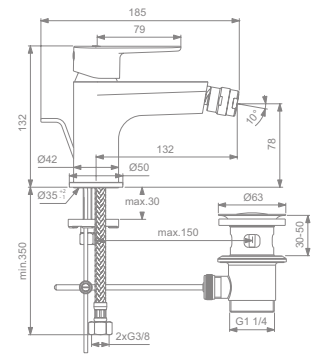
MODEL

Metal pop-up waste

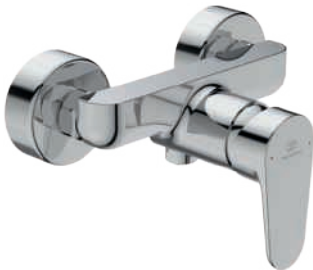
SKU

BC705XG

- FirmaFlow® ceramic disc cartridge
- EasyFix® system
- Slim aerator – 5l/min
- Supplied with flexible hoses G3/8 PEX
- Finish: powder coating, Silk Black
- LightMove® cartridge



EXPOSED SHOWER MIXER



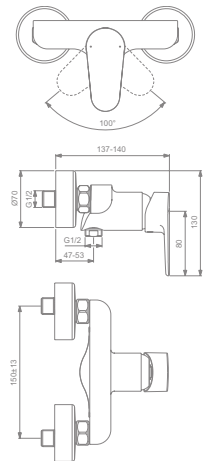
MODEL

Exposed shower mixer

SKU

BC499AA

- FirmaFlow® ceramic disc cartridge
- Check valve
- SmartShine® Finishing
- LightMove® cartridge



EXPOSED SHOWER MIXER



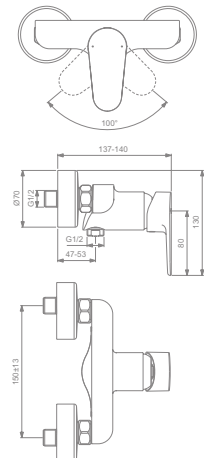
MODEL

Exposed shower mixer

SKU

BC499XG

- FirmaFlow® ceramic disc cartridge
- Check valve
- Finish: powder coating, Silk Black
- LightMove® cartridge



Easyfix



Water Saving



Click Technology



Blue Start



Smart Shine



Light Move

EXPOSED SHOWER MIXER WITH ACCESSORIES



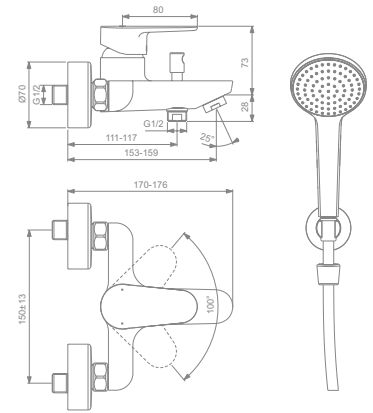
MODEL

Exposed shower mixer with accessories

SKU

BC706XG

- FirmaFlow® ceramic disc cartridge
- Check valve
- Shower set: 1F hand shower, metal fixed wall bracket, shower hose
- Finish: powder coating, Silk Black
- LightMove® cartridge



EXPOSED BATH & SHOWER MIXER



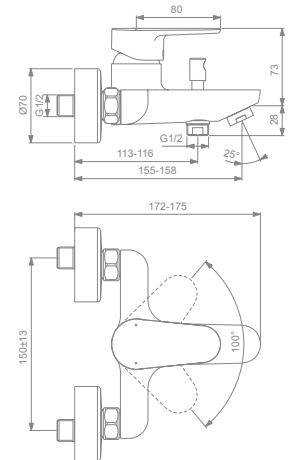
MODEL

Exposed bath & shower mixer

SKU

BC500AA

- FirmaFlow® ceramic disc cartridge
- Check valve
- SmartShine® Finishing
- LightMove® cartridge



EXPOSED BATH & SHOWER MIXER



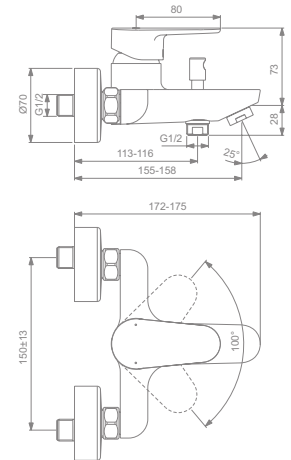
MODEL

Exposed bath & shower mixer

SKU

BC500XG

- FirmaFlow® ceramic disc cartridge
- Check valve
- Finish: powder coating, Silk Black
- LightMove® cartridge



EXPOSED BATH & SHOWER MIXER WITH ACCESSORIES



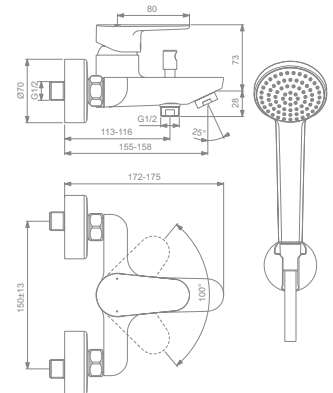
MODEL

Exposed bath & shower mixer with accessories

SKU

BC706AA

- FirmaFlow® ceramic disc cartridge
- Check valve
- Fixed wall bracket
- Metal hose 1500 mm
- Idealrain jet handspray
- SmartShine® Finishing
- LightMove® cartridge



Easyfix



Water Saving



Click Technology



Blue Start



Smart Shine



Light Move

BUILT-IN SHOWER MIXER KIT 1 + KIT 2



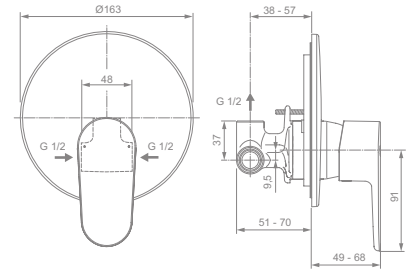
MODEL

Built-in shower mixer

SKU

A7192AA

- Ceramic disc cartridge
- Kit 1 included (Italian shower body)



BUILT-IN SHOWER MIXER KIT 1 + KIT 2



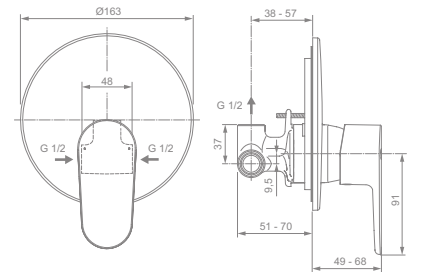
MODEL

Built-in shower mixer

SKU

A7192XG

- Ceramic disc cartridge
- Kit 1 included (A1000NU)
- Finish: powder coating, Silk Black



BUILT-IN SHOWER MIXER KIT 2



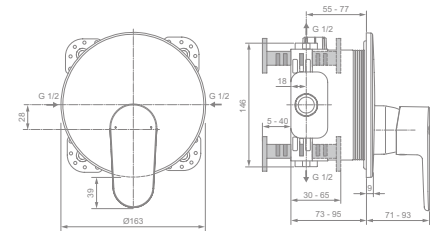
MODEL

Built-in shower mixer

SKU

A7349AA

- Cartridge HWTC
- Kit 1 EasyBox to be purchased separately (A1000NU)



BUILT-IN SHOWER MIXER KIT 2



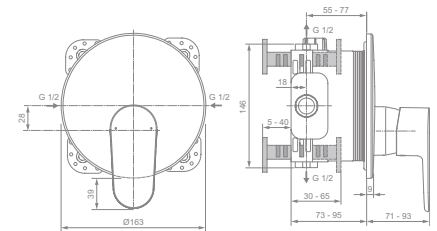
MODEL

Built-in shower mixer

SKU

A7349XG

- Ceramic disc cartridge
- Kit 1 to be purchased separately (A1000NU)
- Finish: powder coating, Silk Black



Easyfix



Water Saving



Click Technology



Blue Start



Smart Shine



Light Move

BUILT-IN BATH & SHOWER MIXER KIT 1 + KIT 2



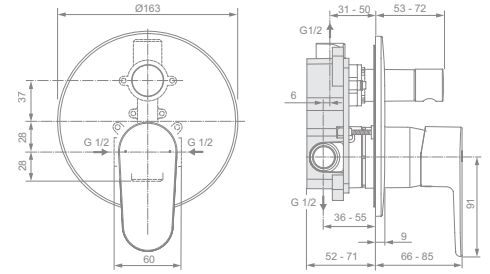
MODEL

Built-in bath & shower mixer

SKU

A7193AA

- Ceramic disc cartridge
- Kit 1 included (A1300NU)



BUILT-IN BATH & SHOWER MIXER KIT 1 + KIT 2



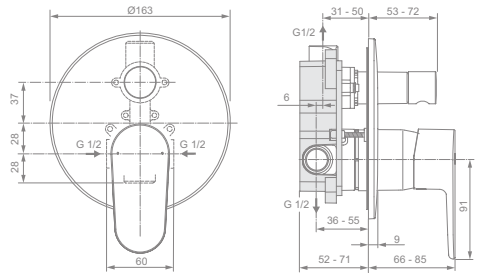
MODEL

Built-in bath & shower mixer

SKU

A7193XG

- Ceramic disc cartridge
- Kit 1 included (A1300NU)
- Finish: powder coating, Silk Black



BUILT-IN BATH & SHOWER MIXER KIT 2



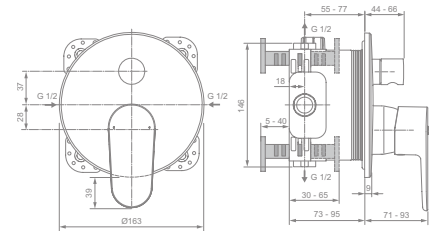
MODEL

Built-in bath & shower mixer

SKU

A7350AA

- Cartridge HWTC
- Diverter with pull knob (metal)
- Kit 1 EasyBox to be purchased separately (A1000NU)



BUILT-IN BATH & SHOWER MIXER KIT 2



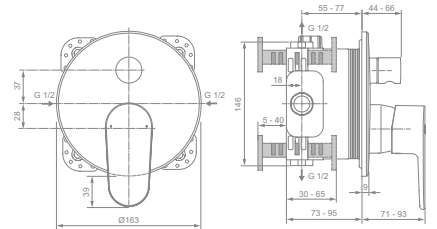
MODEL

Built-in bath & shower mixer

SKU

A7350XG

- Ceramic disc cartridge
- Kit 1 to be purchased separately (A1000NU)
- Finish: powder coating, Silk Black



Easyfix



Water Saving



Click Technology



Blue Start



Smart Shine



Light Move

KITCHEN MIXER HIGH TUBULAR SPOUT



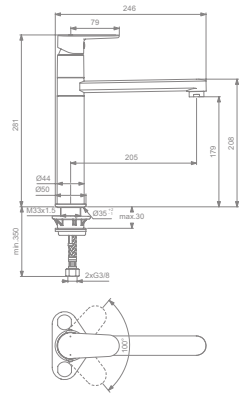
MODEL

Kitchen mixer high tubular spout

SKU

BC501AA

- Firma Flow ceramic cartridge with hot water limiter
- Easy-Fix fixation
- Flexible hoses G3/8" for water supply system connection
- High attached tubular spout rotating on 360°
- Aerator Perlator



KITCHEN MIXER HIGH TUBULAR SPOUT



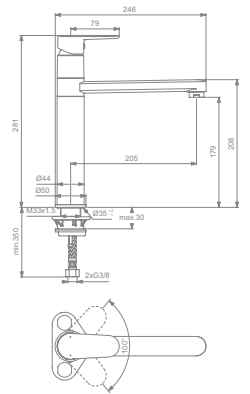
MODEL

Kitchen mixer high tubular spout

SKU

BC501XG

- Firma Flow ceramic cartridge with hot water limiter
- Easy-Fix fixation
- Flexible hoses G3/8" for water supply system connection
- High attached tubular spout rotating on 360°
- Aerator Perlator
- Finish: powder coating, Silk Black



Easyfix



Water Saving



Click Technology



Blue Start



Smart Shine



Light Move

CERAFINE D

BASIN MIXER



MODEL

Plastic pop-up waste

Metal pop-up waste

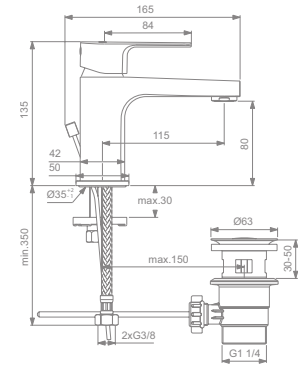
- FirmaFlow® ceramic disc cartridge
- EasyFix® system
- Slim aerator – 5l/min
- Supplied with flexible hoses G3/8 PEX
- SmartShine® Finishing
- LightMove® cartridge
- Comfort area: Height 80 mm



SKU

BC684AA

BC685AA



BASIN MIXER



MODEL

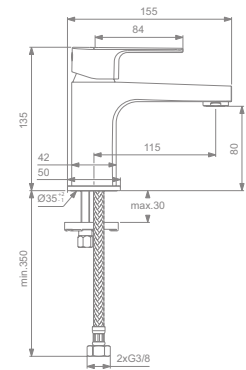
No pop-up waste

- FirmaFlow® ceramic disc cartridge
- EasyFix® system
- Slim aerator – 5l/min
- Supplied with flexible hoses G3/8 PEX
- SmartShine® Finishing
- LightMove® cartridge
- Comfort area: Height 80 mm



SKU

BC682AA



BASIN MIXER WITH BLUESTART® TECHNOLOGY



MODEL

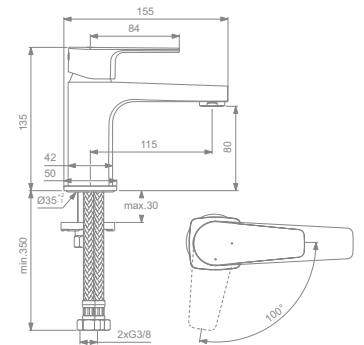
No pop-up waste

- BlueStart® Technology
- FirmaFlow® ceramic disc cartridge
- EasyFix® system
- Slim aerator – 5l/min
- Supplied with flexible hoses G3/8 PEX
- SmartShine® Finishing
- LightMove® cartridge
- Comfort area: Height 80 mm



SKU

BC683AA



BASIN MIXER



MODEL

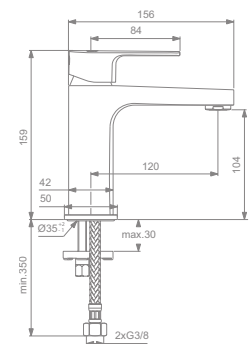
No pop-up waste

- FirmaFlow® ceramic disc cartridge
- EasyFix® system
- Slim aerator – 5l/min
- Supplied with flexible hoses G3/8 PEX
- SmartShine® Finishing
- LightMove® cartridge
- Comfort area: Height 105 mm



SKU

BC553AA



Easyfix



Water Saving



Click Technology



Blue Start



Smart Shine



Light Move

CERAFINE D

BASIN MIXER



MODEL

Plastic pop-up waste

Metal pop-up waste

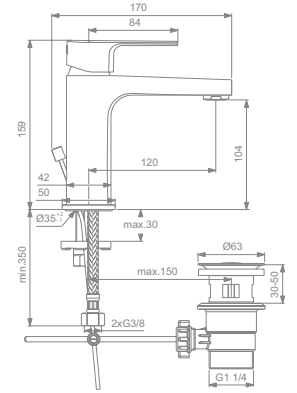
- FirmaFlow® ceramic disc cartridge
- EasyFix® system
- Slim aerator – 5l/min
- Supplied with flexible hoses G3/8 PEX
- SmartShine® Finishing
- LightMove® cartridge
- Comfort area: Height 105 mm



SKU

BC491AA

BC686AA



BASIN MIXER WITH BLUESTART® TECHNOLOGY



MODEL

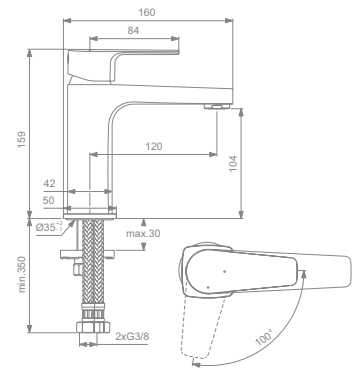
No pop-up waste

- BlueStart® Technology
- FirmaFlow® ceramic disc cartridge
- EasyFix® system
- Slim aerator – 5l/min
- Supplied with flexible hoses G3/8 PEX
- SmartShine® Finishing
- LightMove® cartridge
- Comfort area: Height 105 mm



SKU

BC687AA



BASIN MIXER WITH BLUESTART® TECHNOLOGY



MODEL

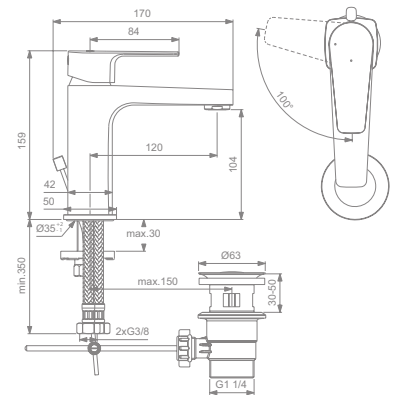
Plastic pop-up waste

- BlueStart® Technology
- FirmaFlow® ceramic disc cartridge
- EasyFix® system
- Slim aerator – 5l/min
- Supplied with flexible hoses G3/8 PEX
- SmartShine® Finishing
- LightMove® cartridge
- Comfort area: Height 105 mm



SKU

BC688AA



BIDET MIXER



MODEL

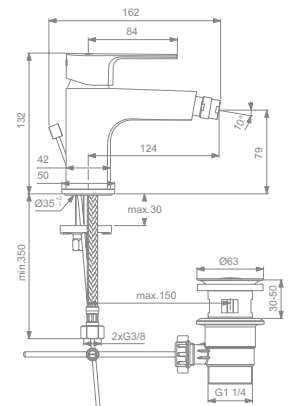
Plastic pop-up waste

- FirmaFlow® ceramic disc cartridge
- EasyFix® system
- Slim aerator – 5l/min
- Supplied with flexible hoses G3/8 PEX
- Ball joint M18x2
- SmartShine® Finishing
- LightMove® cartridge



SKU

BC492AA



Easyfix



Water Saving



Click Technology



Blue Start



Smart Shine



Light Move

CERAFINE D

EXPOSED SHOWER MIXER



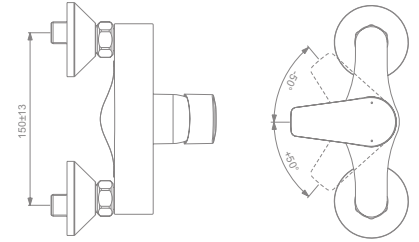
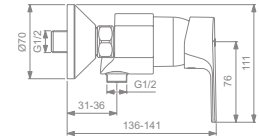
MODEL

Exposed Shower mixer, single lever

SKU

BC493AA

- FirmaFlow® ceramic disc cartridge
- Check valve
- SmartShine® Finishing
- LightMove® cartridge



EXPOSED BATH & SHOWER MIXER



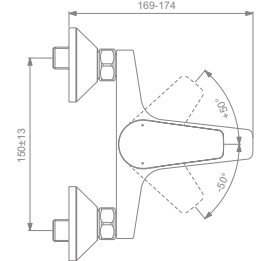
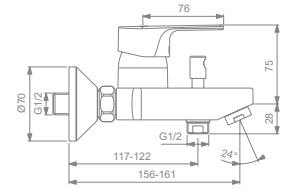
MODEL

Exposed Bath & Shower mixer, single lever

SKU

BC692AA

- FirmaFlow® ceramic disc cartridge
- Check valve
- Automatic diverte
- SmartShine® Finishing
- LightMove® cartridge



EXPOSED BATH & SHOWER MIXER



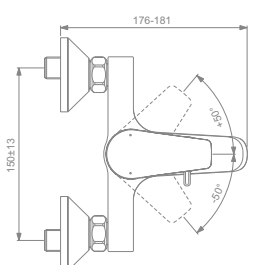
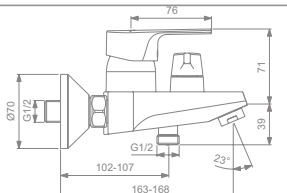
MODEL

Exposed bath & shower mixer, single lever

SKU

BC494AA

- FirmaFlow® ceramic disc cartridge
- Check valve
- Automatic ceramic diverter
- SmartShine® Finishing
- LightMove® cartridge



BUILT-IN SHOWER MIXER KIT 1 + KIT 2



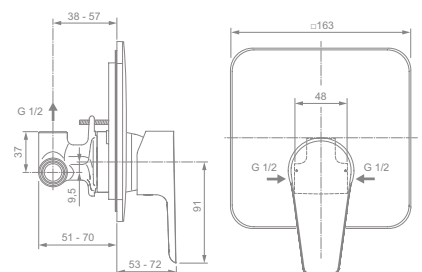
MODEL

Built-in shower mixer, single lever

SKU

A7188AA

- BlueStart® Technology
- Click Technology



Easyfix



Water Saving



Click Technology



Blue Start



Smart Shine



Light Move

CERAFINE D

BUILT-IN BATH & SHOWER MIXER KIT 1 + KIT 2



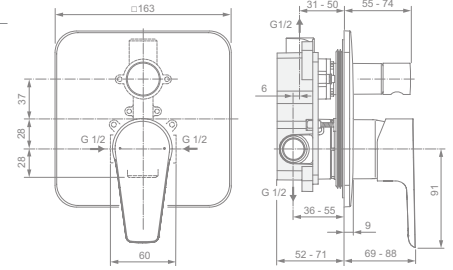
MODEL

Built-in bath & shower mixer, single lever

SKU

A7189AA

- Ceramic disc cartridge
- Kit 1 included (A1300NU)
- Click technology
- Automatic diverter



BUILT-IN BATH & SHOWER MIXER KIT 2



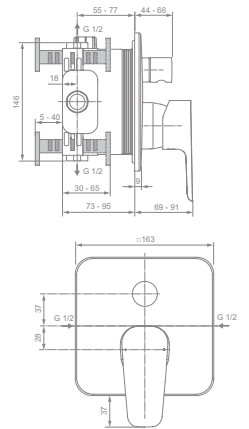
MODEL

Built-in bath & shower mixer

SKU

A7348AA

- Cartridge HWTC
- Diverter with pull knob (metal)
- Kit 1 EasyBox to be purchased separately (A1000NU)



BUILT-IN SHOWER MIXER KIT 2



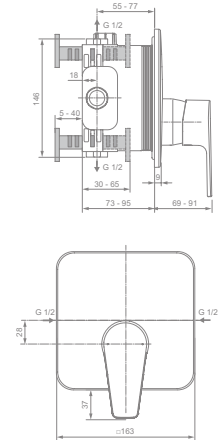
MODEL

Built-in shower mixer, single lever

SKU

A7347AA

- Cartridge HWTC
- Kit 1 to be purchased separately (A1000NU)



Easyfix



Water Saving



Click Technology



Blue Start



Smart Shine



Light Move

CERALINE

BASIN MIXER



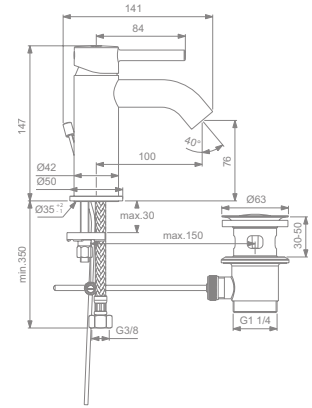
MODEL

Metal pop-up waste

SKU

BC193AA

- EasyFix® system
- Hidden aerator 5l/min
- Ceramic disc cartridge
- Temperature limiter
- Supplied with flexible hoses G3/8 PEX
- SmartShine® Finishing
- Comfort area: Height 80 mm



BASIN MIXER



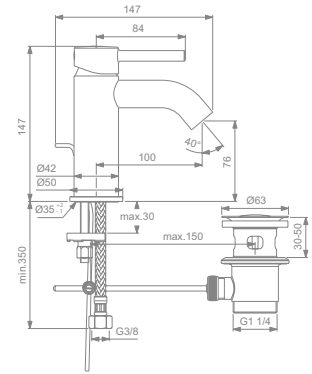
MODEL

Metal pop-up waste

SKU

BC193XG

- EasyFix® system
- Hidden aerator 5l/min
- Ceramic disc cartridge
- Temperature limiter
- Supplied with flexible hoses G3/8 PEX
- Finish: powder coating, Silk Black
- Comfort area: Height 80 mm



BASIN MIXER



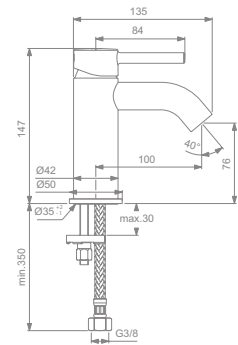
MODEL

No pop-up waste

SKU

BC268AA

- EasyFix® system
- Hidden aerator 5l/min
- Ceramic disc cartridge
- Temperature limiter
- Supplied with flexible hoses G3/8 PEX
- SmartShine® Finishing
- Comfort area: Height 80 mm



BASIN MIXER



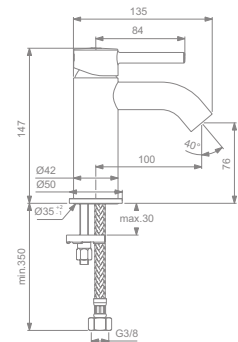
MODEL

No pop-up waste

SKU

BC268XG

- EasyFix® system
- Hidden aerator 5l/min
- Ceramic disc cartridge
- Temperature limiter
- Supplied with flexible hoses G3/8 PEX
- Finish: powder coating, Silk Black
- Comfort area: Height 80 mm



Easyfix



Water Saving



Click Technology



Blue Start



Smart Shine



Light Move

CERALINE

BASIN MIXER



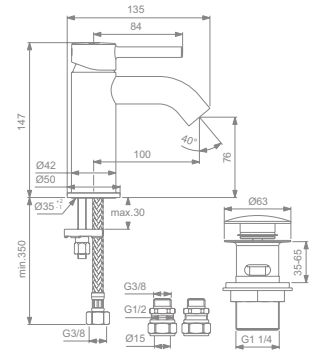
MODEL

Metal pop-up waste

SKU

BC186AA

- EasyFix® system
- Hidden aerator 5l/min
- Ceramic disc cartridge
- Temperature limiter
- Supplied with flexible hoses G3/8 PEX
- SmartShine® Finishing
- Comfort area: Height 80 mm



VESSEL BASIN MIXER



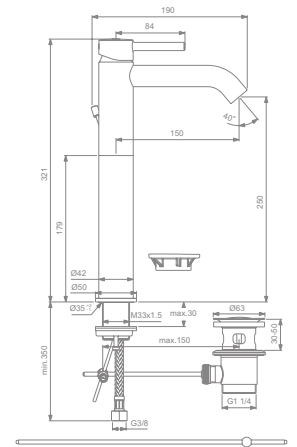
MODEL

Metal pop-up waste

SKU

BC194AA

- EasyFix® system
- Hidden aerator 5l/min
- Ceramic disc cartridge
- Temperature limiter
- Supplied with flexible hoses G3/8 PEX
- SmartShine® Finishing
- Comfort area: Height 240 mm



VESSEL BASIN MIXER



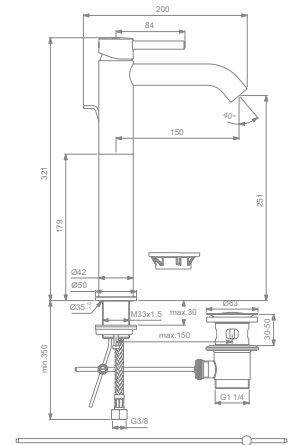
MODEL

Metal pop-up waste

SKU

BC194XG

- EasyFix® system
- Hidden aerator 5l/min
- Ceramic disc cartridge
- Temperature limiter
- Supplied with flexible hoses G3/8 PEX
- Finish: powder coating, Silk Black
- Comfort area: Height 240 mm



VESSEL BASIN MIXER



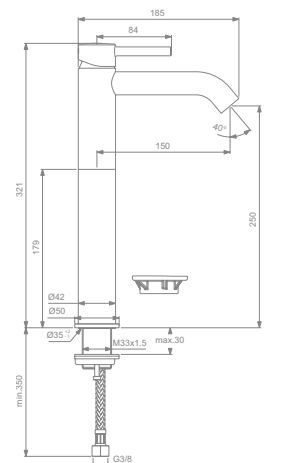
MODEL

No pop-up waste

SKU

BC269AA

- EasyFix® system
- Hidden aerator 5l/min
- Ceramic disc cartridge
- Temperature limiter
- Supplied with flexible hoses G3/8 PEX
- SmartShine® Finishing
- Comfort area: Height 240 mm



Easyfix



Water Saving



Click Technology



Blue Start



Smart Shine



Light Move

CERALINE

VESSEL BASIN MIXER



MODEL

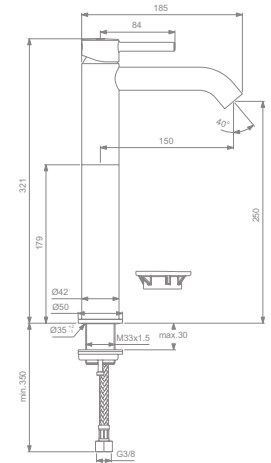
No pop-up waste

- EasyFix® system
- Hidden aerator 5l/min
- Ceramic disc cartridge
- Temperature limiter
- Supplied with flexible hoses G3/8 PEX
- Finish: powder coating, Silk Black
- Comfort area: Height 240 mm



SKU

BC269XG



HIGH SPOUT BASIN MIXER



MODEL

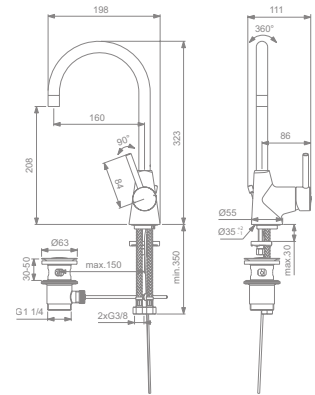
Metal pop-up waste

- EasyFix® system
- Hidden aerator 5l/min
- Ceramic cartridge
- Temperature limiter
- Supplied with flexible hoses G3/8 PEX
- SmartShine® Finishing
- Comfort area: Height 210 mm



SKU

BC195AA



BUILT-IN BASIN MIXER KIT 2



MODEL

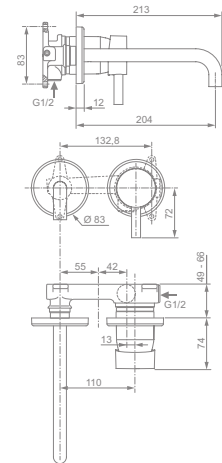
Metal pop-up waste

- Tubular spout 195 mm
- Ceramic disc cartridge
- Hidden aerator
- Kit 1 to be purchased separately (A5948NU)
- SmartShine® Finishing



SKU

A6938AA



BUILT-IN BASIN MIXER KIT 2



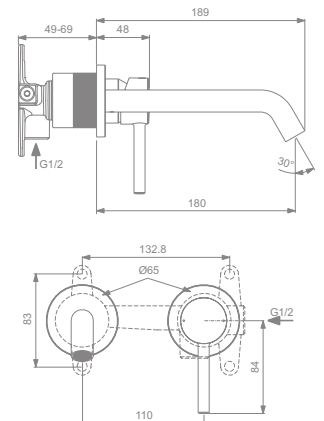
MODEL

Metal pop-up waste

- Tubular spout 195 mm
- Ceramic disc cartridge
- Hidden aerator
- Kit 1 to be purchased separately (A5948NU)
- Finish: powder coating, Silk Black

SKU

A6938XG



Easyfix



Water Saving



Click Technology



Blue Start



Smart Shine



Light Move

CERALINE

BIDET MIXER



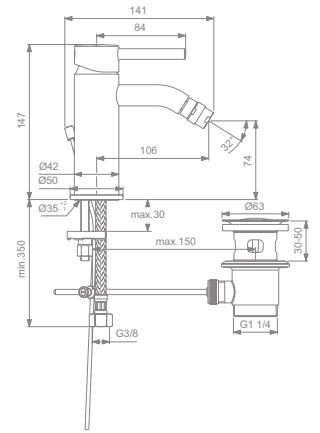
MODEL

Metal pop-up waste

SKU

BC197AA

- EasyFix® system
- Hidden aerator 5l/min
- Ceramic disc cartridge
- Temperature limiter
- Supplied with flexible hoses G3/8 PEX
- SmartShine® Finishing



BIDET MIXER



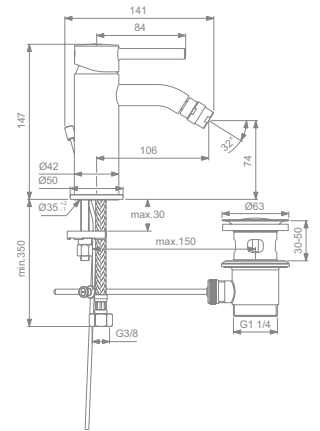
MODEL

Metal pop-up waste

SKU

BC197XG

- EasyFix® system
- Hidden aerator 5l/min
- Ceramic disc cartridge
- Temperature limiter
- Supplied with flexible hoses G3/8 PEX
- Finish: powder coating, Silk Black



EXPOSED SHOWER MIXER



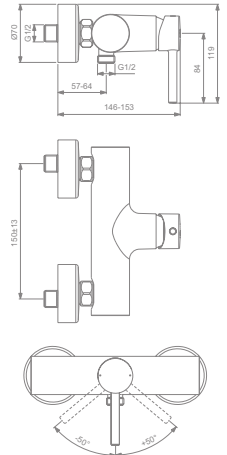
MODEL

Metal pop-up waste

SKU

BC200AA

- Ceramic disc cartridge
- Temperature limiter
- Standard S-connectors from 137 mm to 163 mm
- SmartShine® Finishing



EXPOSED SHOWER MIXER



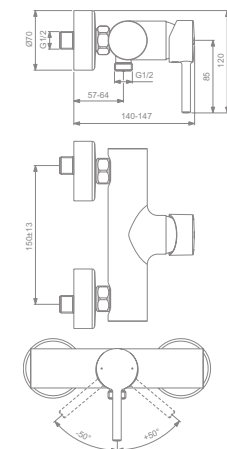
MODEL

Metal pop-up waste

SKU

BC200XG

- Ceramic disc cartridge
- Temperature limiter
- Standard S-connectors from 137 mm to 163 mm
- Finish: powder coating, Silk Black



Easyfix



Water Saving



Click Technology



Blue Start



Smart Shine



Light Move

EXPOSED BATH & SHOWER MIXER WITH ACCESSORIES



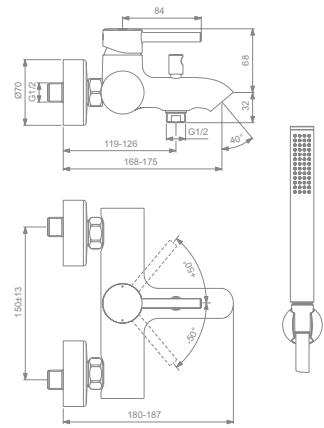
MODEL

Exposed bath&shower mixer

SKU

BC270AA

- Ceramic disc cartridge
- Temperature limiter
- Standard S-connectors from 137 mm to 163 mm
- With shower accessories
- SmartShine® Finishing



EXPOSED BATH & SHOWER MIXER WITH ACCESSORIES



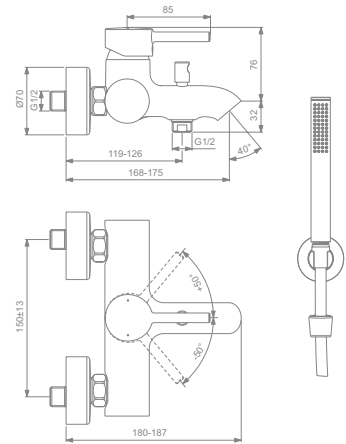
MODEL

Exposed bath&shower mixer

SKU

BC270XG

- Ceramic disc cartridge
- Temperature limiter
- Standard S-connectors from 137 mm to 163 mm
- With shower accessories
- Finish: powder coating, Silk Black



EXPOSED BATH & SHOWER MIXER



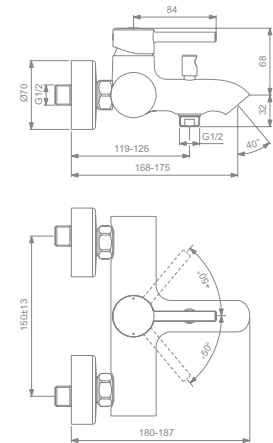
MODEL

Exposed bath&shower mixer

SKU

BC199AA

- Ceramic disc cartridge
- Temperature limiter
- Check valve
- Standard S-connections with noise reducers
- Hidden aerator
- Automatic diverter
- SmartShine® Finishing



EXPOSED BATH & SHOWER MIXER



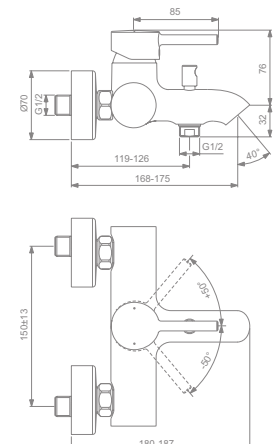
MODEL

Exposed bath&shower mixer

SKU

BC199XG

- Ceramic disc cartridge
- Temperature limiter
- Check valve
- Standard S-connections with noise reducers
- Hidden aerator
- Automatic diverter
- Finish: powder coating, Silk Black



Easyfix



Water Saving



Click Technology



Blue Start



Smart Shine



Light Move

BUILT-IN BATH & SHOWER MIXER KIT 1 + 2



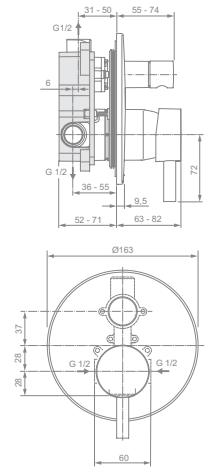
MODEL

Built-in bath & shower mixer

SKU

A6939AA

- Click cartridge
- Automatic diverter
- Kit 1 included (A1300NU)
- SmartShine® Finishing



BUILT-IN BATH & SHOWER MIXER KIT 1 + 2



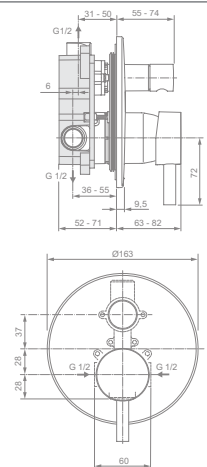
MODEL

Built-in bath & shower mixer

SKU

A6939XG

- Click cartridge
- Automatic diverter
- Kit 1 included (A1300NU)
- Finish: powder coating, Silk Black



BUILT-IN SHOWER MIXER KIT 1 + 2



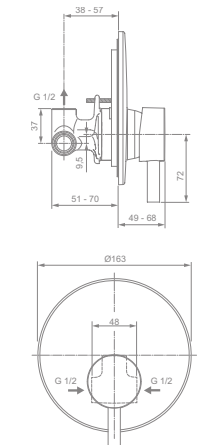
MODEL

Built-in shower mixer

SKU

A6940AA

- Click cartridge
- Kit 1 + Kit 2 version (complete set)
- SmartShine® Finishing



BUILT-IN SHOWER MIXER KIT 1 + 2



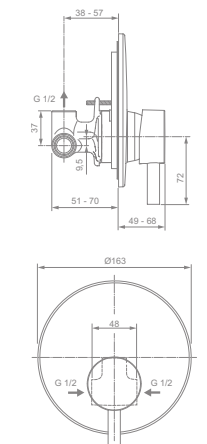
MODEL

Built-in shower mixer

SKU

A6940XG

- Click cartridge
- Kit 1 + Kit 2 version (complete set)
- Finish: powder coating, Silk Black



Easyfix



Water Saving



Click Technology



Blue Start



Smart Shine



Light Move

4-HOLE BATH & SHOWER MIXER WITH SPOUT

MODEL

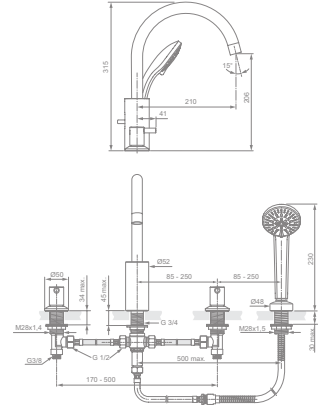
4-hole bath & shower mixer with spout

SKU

BC198AA



- Ceramic valves G1/2 90° left and right
- Idealrain 80mm – 3 function soft hand shower
- Double-clenched metal hose
- Metal handles
- Aerator perlator
- RIM mounted G1/2 nuts with sealing system for water supply system connections
- SmartShine® Finishing



BUILT-IN BATH & SHOWER MIXER KIT 2

MODEL

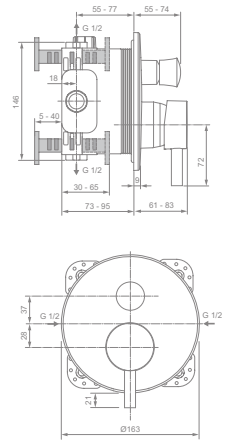
Built-in bath & shower mixer

SKU

A7389AA



- Cartridge HWTC
- Diverter with pull knob
- Kit 1 EasyBox to be purchased separately (A1000NU)
- SmartShine® Finishing



BUILT-IN BATH & SHOWER MIXER KIT 2

MODEL

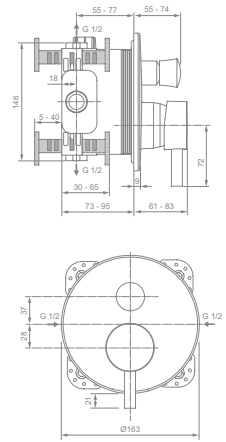
Built-in bath & shower mixer

SKU

A7389XG



- Cartridge HWTC
- Diverter with pull knob
- Kit 1 EasyBox to be purchased separately (A1000NU)
- Finish: powder coating, Silk Black



BUILT-IN SHOWER MIXER KIT 2

MODEL

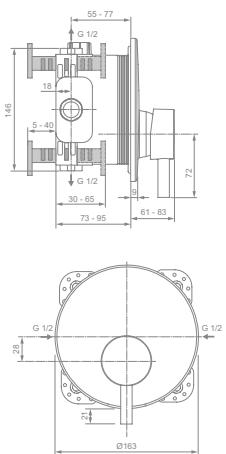
Built-in shower mixer

SKU

A7388AA



- Cartridge HWTC
- Kit 1 EasyBox to be purchased separately (A1000NU)
- SmartShine® Finishing



Easyfix



Water Saving



Click Technology



Blue Start



Smart Shine



Light Move

BUILT-IN SHOWER MIXER KIT 2



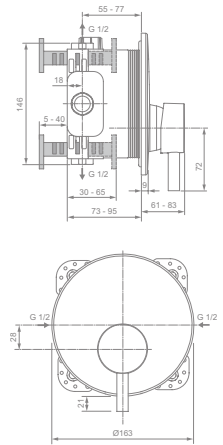
MODEL

Built-in shower mixer

SKU

A7388XG

- Cartridge HWTC
- Kit 1 EasyBox to be purchased separately (A1000NU)
- Finish: powder coating, Silk Black



Easyfix



Water Saving



Click Technology



Blue Start



Smart Shine



Light Move

BASIN MIXER



MODEL

Plastic pop-up waste

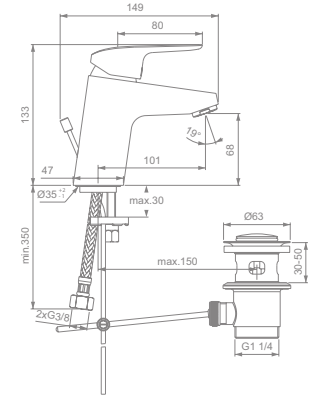
SKU

B1707AA

Metal pop-up waste

B1708AA

- FirmaFlow® ceramic disc cartridge
- Slim aerator 5l/min
- EasyFix® system
- Supplied with flexible hoses G3/8 PEX
- Temperature limit stop (preset option available)
- SmartShine® Finishing
- LightMove® cartridge
- Comfort area: Height 70 mm



BASIN MIXER



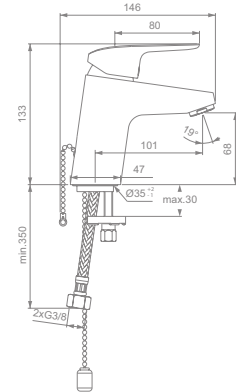
MODEL

With chain

SKU

B1709AA

- FirmaFlow® ceramic disc cartridge
- Slim aerator 5l/min
- EasyFix® system
- Supplied with flexible hoses G3/8 PEX
- Temperature limit stop (preset option available)
- SmartShine® Finishing
- LightMove® cartridge
- Comfort area: Height 70 mm



BASIN MIXER



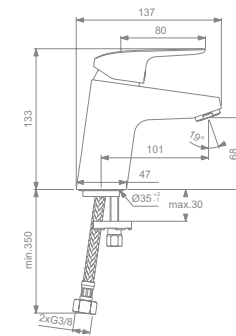
MODEL

No pop-up waste

SKU

B1710AA

- FirmaFlow® ceramic disc cartridge
- Slim aerator 5l/min
- EasyFix® system
- Supplied with flexible hoses G3/8 PEX
- Temperature limit stop (preset option available)
- SmartShine® Finishing
- LightMove® cartridge
- Comfort area: Height 70 mm



BASIN MIXER WITH BLUESTART® TECHNOLOGY



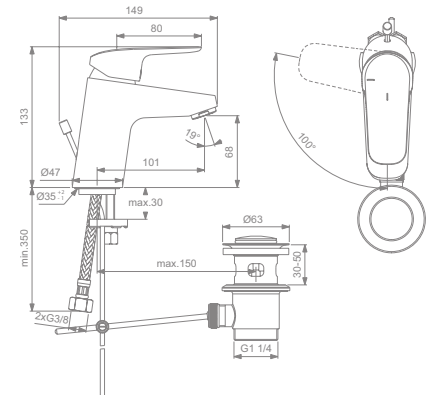
MODEL

Metal pop-up waste

SKU

B1711AA

- FirmaFlow® ceramic disc cartridge
- Slim aerator 5l/min
- EasyFix® system
- Supplied with flexible hoses G3/8 PEX
- Temperature limit stop (preset option available)
- SmartShine® Finishing
- LightMove® cartridge
- Comfort area: Height 70 mm



Easyfix



Water Saving



Click Technology



Blue Start



Smart Shine



Light Move

GRANDE BASIN MIXER



MODEL

Plastic pop-up waste

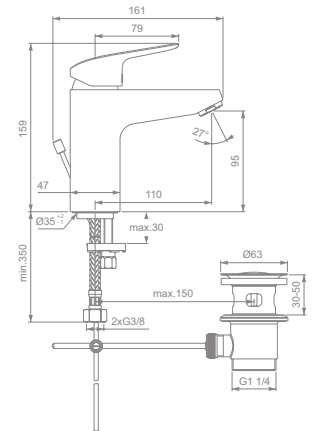
SKU

B1712AA

Metal pop-up waste

B1713AA

- FirmaFlow® ceramic disc cartridge
- Slim aerator 5l/min
- EasyFix® system
- Supplied with flexible hoses G3/8 PEX
- Temperature limit stop (preset option available)
- SmartShine® Finishing
- LightMove® cartridge
- Comfort area: Height 100 mm



GRANDE BASIN MIXER



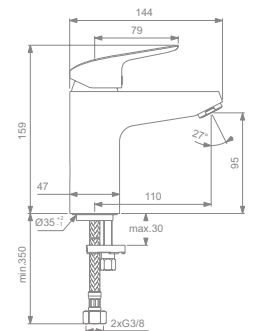
MODEL

No pop-up waste

SKU

B1714AA

- FirmaFlow® ceramic disc cartridge
- Slim aerator 5l/min
- EasyFix® system
- Supplied with flexible hoses G3/8 PEX
- Temperature limit stop (preset option available)
- SmartShine® Finishing
- LightMove® cartridge
- Comfort area: Height 100 mm



GRANDE BASIN MIXER WITH BLUESTART® TECHNOLOGY



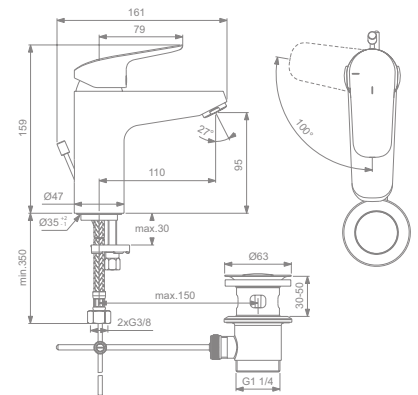
MODEL

Metal pop-up waste

SKU

B1715AA

- FirmaFlow® ceramic disc cartridge
- Slim aerator 5l/min
- EasyFix® system
- Supplied with flexible hoses G3/8 PEX
- Temperature limit stop (preset option available)
- SmartShine® Finishing
- LightMove® cartridge
- Comfort area: Height 100 mm



VESSEL MIXER



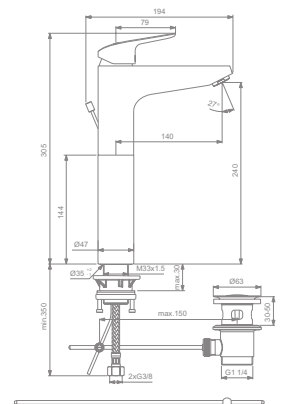
MODEL

Metal pop-up waste

SKU

B1872AA

- FirmaFlow® ceramic disc cartridge
- Slim aerator 5l/min
- EasyFix® system for installation
- Supplied with flexible hoses G3/8 PEX
- Temperature limit stop (preset option available)
- SmartShine® Finishing
- LightMove® cartridge



Easyfix



Water Saving



Click Technology



Blue Start

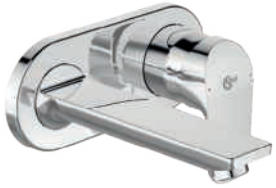


Smart Shine



Light Move

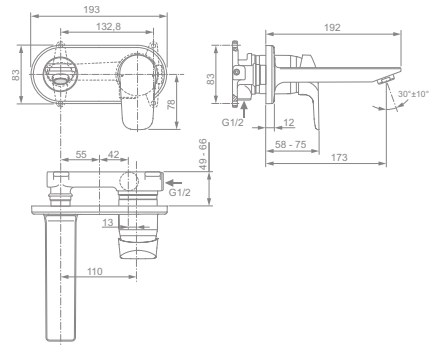
BUILT-IN BASIN MIXER KIT 2



MODEL
Built-in basin mixer

SKU
A6941AA

- Cartridge HWTC
- Spout 172 mm
- Cascade aerator 5 l/min
- Temperature limit stop (preset option available)
- Kit 1 EasyBox to be purchased separately (A5948NU)
- SmartShine® Finishing



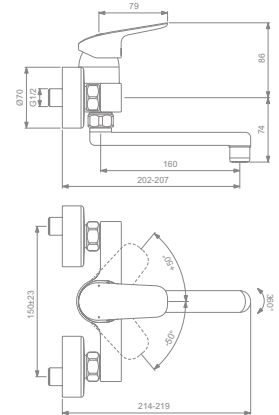
EXPOSED BASIN MIXER



MODEL
Exposed basin mixer

SKU
B1717AA

- Tubular spout 160 mm
- FirmaFlow® ceramic disc cartridge
- Click Technology
- Aerator perlator M24x1
- S-connectors and cylindrical escutcheons
- Temperature limit stop (preset option available)
- SmartShine® Finishing
- LightMove® cartridge



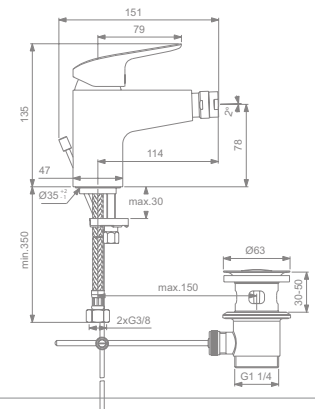
BIDET MIXER



MODEL
Metal pop-up waste

SKU
B1718AA

- FirmaFlow® ceramic disc cartridge
- Click Technology
- Aerator perlator M24x1
- EasyFix® system
- Supplied with flexible hoses G3/8 PEX
- Temperature limit stop (preset option available)
- SmartShine® Finishing
- LightMove® cartridge



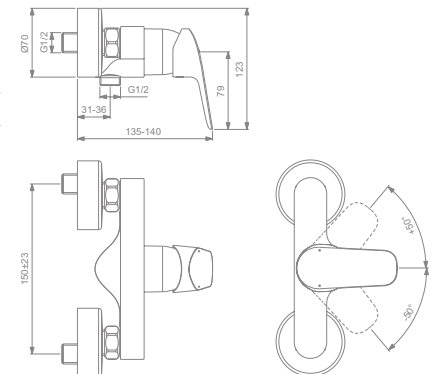
EXPOSED SHOWER MIXER



MODEL
Exposed shower mixer

SKU
B1720AA

- FirmaFlow® ceramic disc cartridge
- Click Technology
- Easy installation
- S-connectors and cylindrical escutcheons
- Check valve
- Temperature limit stop (preset option available)
- SmartShine® Finishing
- LightMove® cartridge



Easyfix



Water Saving



Click Technology



Blue Start



Smart Shine



Light Move

EXPOSED BATH & SHOWER MIXER



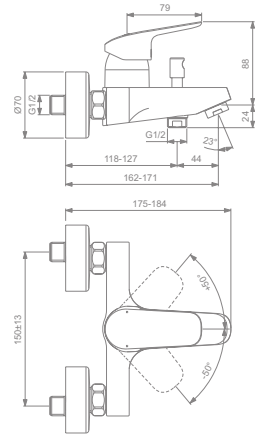
MODEL

Exposed bath & shower mixer

SKU

B1721AA

- FirmaFlow® ceramic disc cartridge
- Click Technology
- Easy installation
- Automatic diverter
- Pull knob
- S-connectors and cylindrical escutcheons
- Check valve
- Temperature limit stop (preset option available)
- SmartShine® Finishing
- LightMove® cartridge



EXPOSED BATH & SHOWER MIXER



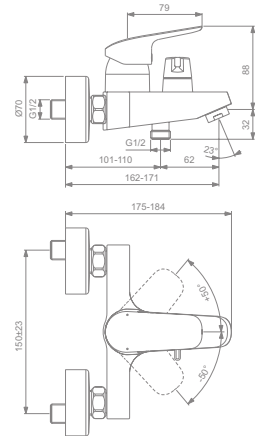
MODEL

Exposed bath & shower mixer

SKU

B1740AA

- FirmaFlow® ceramic disc cartridge
- Click Technology
- Easy installation
- S-connection complete
- Temperature limit stop (preset option available)
- Ceramic diverter
- SmartShine® Finishing
- LightMove® cartridge



EXPOSED BATH & SHOWER MIXER WITH LONG SPOUT



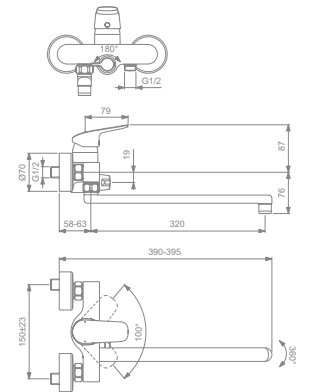
MODEL

Exposed bath & shower mixer

SKU

B1741AA

- Tubular spout 320 mm
- FirmaFlow® ceramic disc cartridge
- Click Technology
- Easy installation
- Handle diverter
- S-connection
- Ceramic diverter
- SmartShine® Finishing
- LightMove® cartridge



EXPOSED BATH & SHOWER MIXER WITH ACCESSORIES



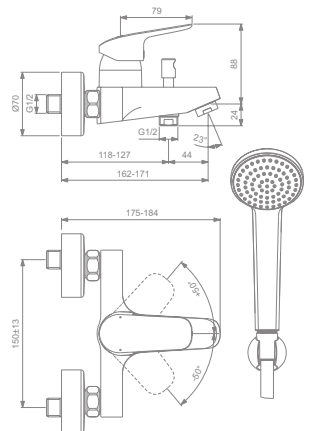
MODEL

Exposed bath & shower mixer

SKU

B1722AA

- FirmaFlow® ceramic disc cartridge
- Click Technology
- Easy installation
- Automatic diverter
- Pull knob active
- S-connectors and cylindrical escutcheons
- Check valve
- Wall hook for hand shower
- Idealrain 80 mm handspray with waterflow 8l/min
- Shower metal hose G1/2-3"-G1/2X1500
- Temperature limit stop (preset option available)
- SmartShine® Finishing
- LightMove® cartridge



Easyfix



Water Saving



Click Technology



Blue Start



Smart Shine



Light Move

BATH & SHOWER MIXER WITH ACCESSORIES



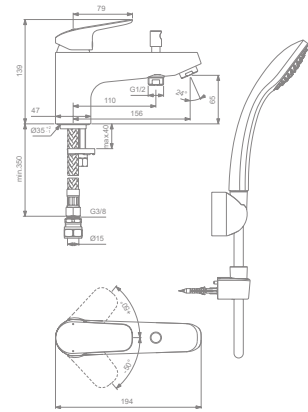
MODEL

Exposed bath & shower mixer

SKU

B1960AA

- FirmaFlow® ceramic disc cartridge
- Click Technology
- Easy installation
- Automatic diverter
- Idealrain 80 mm handspray with waterflow 8l/min
- Shower metal hose
- Fixed plastic wall bracket
- SmartShine® Finishing
- LightMove® cartridge



BUILT-IN SHOWER MIXER KIT 2



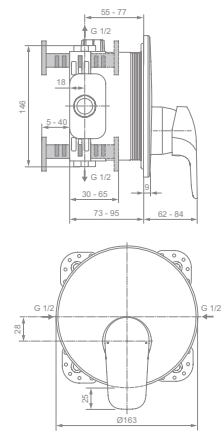
MODEL

Built-in shower mixer

SKU

A6724AA

- Cartridge HWTC
- Kit 1 EasyBox to be purchased separately (A1000NU)
- SmartShine® Finishing



BUILT-IN SHOWER MIXER KIT 1 + 2



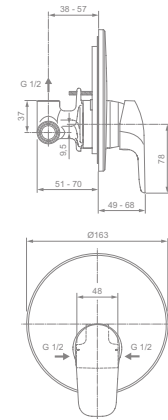
MODEL

Built-in shower mixer

SKU

A6757AA

- Cartridge HWTC
- SmartShine® Finishing



BUILT-IN BATH & SHOWER MIXER KIT 1 + 2



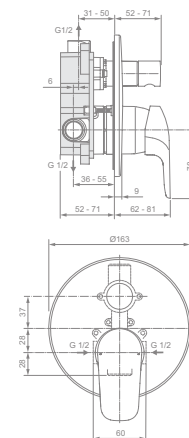
MODEL

Built-in bath & shower mixer

SKU

A6758AA

- Cartridge HWTC
- Diverter with pull knob (metal)
- Kit 1 included (A1300NU)
- SmartShine® Finishing



Easyfix



Water Saving



Click Technology



Blue Start



Smart Shine



Light Move

BUILT-IN BATH & SHOWER MIXER KIT 2



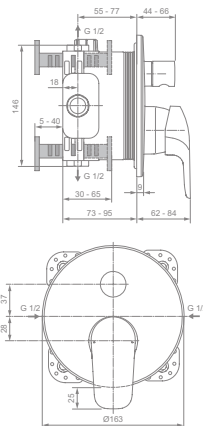
MODEL

Built-in bath & shower mixer

SKU

A6725AA

- Cartridge HWTC
- Diverter with pull knob (metal)
- Kit 1 EasyBox to be purchased separately (A1000NU)
- SmartShine® Finishing



4-HOLE DUAL CONTROL BATH AND SHOWER MIXER



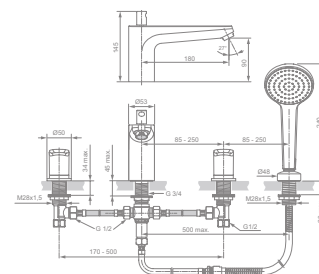
MODEL

Dual control bath & shower mixer

SKU

B1874AA

- Ceramic disc cartridge 90°
- Automatic diverter
- Aerator 24x1
- Idealrain handspray 100 mm – 1 function with 8l/min flow limiter
- Metal shower hose
- SmartShine® Finishing



Easyfix



Water Saving



Click Technology



Blue Start



Smart Shine



Light Move

BRASSWARE - BASIN WASTES

SLOTTED WASTE WITH CLICK PLUG



MODEL	SKU
Slotted basin waste with "click" plug	S8803AA

- For basins with an overflow

SLOTTED WASTE WITH CLICK PLUG



MODEL	SKU
Slotted basin waste with "click" plug	E1482XG

- For basins with an overflow

UNSLOTTED WASTE WITH CLICK PLUG



MODEL	SKU
Unslotted basin waste with "click" plug	S8808AA

- For basins with no overflow

UNSLOTTED WASTE WITH CLICK PLUG



MODEL	SKU
Unslotted basin waste with "click" plug	E1483XG

- For basins with no overflow

LUXURY FREEFLOW WASTE



MODEL	SKU
Luxury free flow basin waste, unslotted - chrome	J3291AA
Luxury free flow basin waste, unslotted - silk black	J3291XG

CONTEMPORARY BOTTLE TRAP



MODEL	SKU
Contemporary 32 x 75 mm seal bottle trap	E0079AA

SHOWERS

CERATHERM T100 SHOWER MIXERS



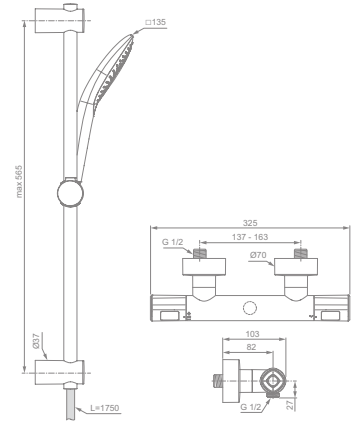
MODEL

Thermostatic shower mixer

SKU

A7234AA

- 125 mm 3F Idealrain Evo Jet Diamond hand shower, 8 l/min
- 1750 mm Idealflex shower hose
- 600 mm shower bar with adjustable wall brackets



CERATHERM T50 SHOWER MIXERS



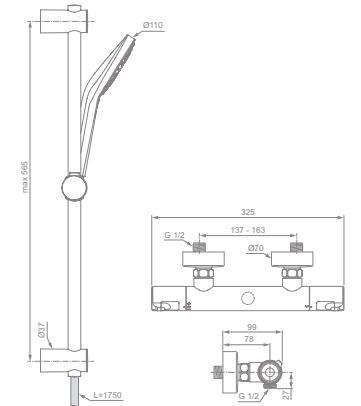
MODEL

Thermostatic shower mixer

SKU

A7217AA

- 110 mm 3F Idealrain Evo Round hand shower, 8 l/min
- 1750 mm Idealflex shower hose
- 600 mm shower bar with adjustable wall brackets



CERATHERM T25 SHOWER MIXERS



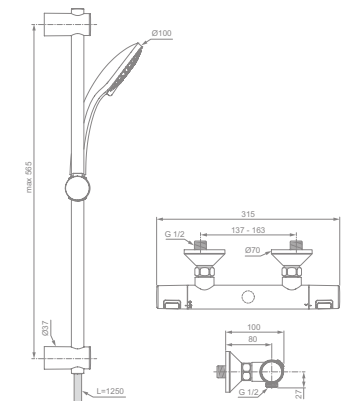
MODEL

Thermostatic shower mixer

SKU

A7203AA

- 100 mm 3F Idealrain hand shower, 8 l/min
- 1250 mm Idealflex shower hose
- 600 mm shower bar with adjustable wall brackets



CERATHERM C100 SHOWER SYSTEM



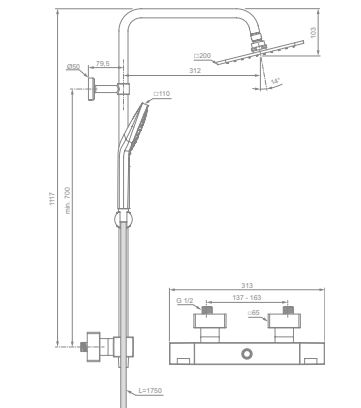
MODEL

Thermostatic mixer, hand shower & shower head

SKU

A7540AA

- Large metal shower head – 200 x 200mm
- 3 Function Idealrain Evo D 110 hand shower
- Idealflex shower hose 1750 mm
- Angle and height adjustable slider for hand shower on the rail
- FirmaFlow® Therm – thermostatic cartridge



Temperature Limit Stop



Safety Stop



Cool Body



Ceramic Disk (Firmaflow Therm)



High Pressure

SHOWERS

CERATHERM C 100 SHOWER SYSTEM-SQUARE



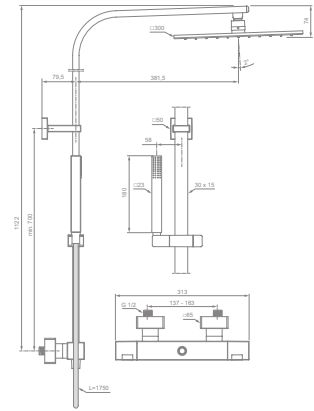
MODEL

Thermostatic mixer, stick hand shower & shower head

SKU

A7542AA

- XXL metal shower head – 300x300 mm
- 1 Function metal stick hand shower
- Idealflex shower hose 1750 mm
- Angle and height adjustable slider for hand shower on the rail
- FirmaFlow® Therm – thermostatic cartridge



CERATHERM T25 SHOWER SYSTEM



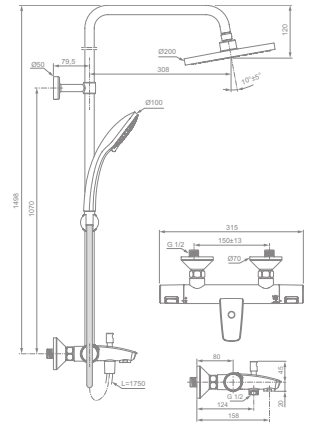
MODEL

Thermostatic mixer, bath spout, hand shower & shower head
(Available for 2022)

SKU

A7590AA

- Large shower head – Ø200 mm
- 3 Function Idealrain 100 hand shower
- Idealflex shower hose 1750 mm
- Angle and height adjustable slider for hand shower on the rail
- FirmaFlow® Therm – thermostatic cartridge



CERATHERM T100 FLEX SHOWER SYSTEM



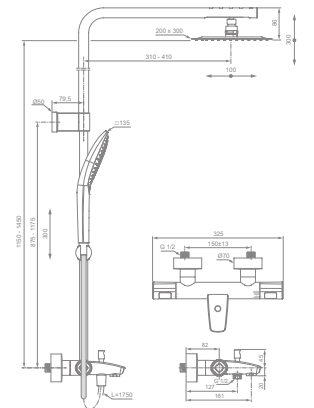
MODEL

Thermostatic mixer, bath spout, hand shower & shower head
(Available for 2022)

SKU

A7591AA

- XL metal shower head – 200 x 300 mm
- 3 Function Idealrain EvoJet D 125 hand shower
- Vertical and horizontal adjustment of shower head possible during installation
- Idealflex shower hose 1750 mm
- Angle and height adjustable slider for hand shower on the rail
- FirmaFlow® Therm – thermostatic cartridge



Water Saving



Fast Fix



Temperature
Limit Stop



Safety Stop



Cool Body



Ceramic Disk
(Firmaflow Therm)



High Pressure

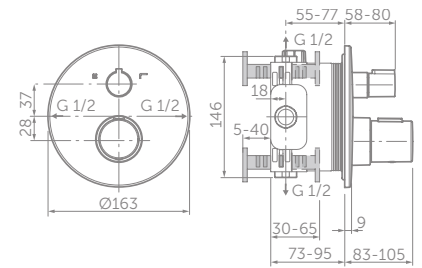
SHOWERS - CERATHERM BUILT IN SHOWER MIXERS

T100 SHOWER MIXER



MODEL	SKU
Built-In Thermostatic Shower Mixer with one outlet and round faceplate - chrome	A5813AA
Built-in thermostatic shower mixer with one outlet round faceplate - silk black	A5813XG
Built-In Thermostatic Shower Mixer with two outlets and round faceplate - chrome	A5814AA
Built-in thermostatic shower mixer with two outlets round faceplate - silk black	A5814XG

- Requires built-in kit A1000NU (sold separately, see below) and a suitable outlet

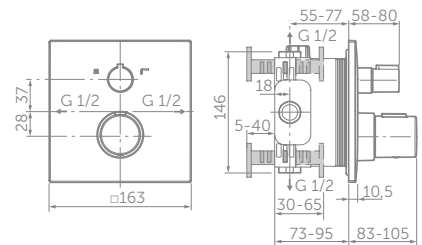


C100 SHOWER MIXER



MODEL	SKU
Built-In Thermostatic Shower Mixer with one outlet and round faceplate - chrome	A6956AA
Built-in thermostatic shower mixer with one outlet square faceplate - silk black	A6956XG
Built-In Thermostatic Shower Mixer with two outlets and round faceplate - chrome	A7522AA
Built-in thermostatic shower mixer with two outlets square faceplate - silk black	A7522XG

- Requires built-in kit A1000NU (sold separately, see below) and a suitable outlet



EASYBOX BUILT-IN INSTALLATION KIT



MODEL	SKU
Built-In Kit	A1000NU



Water Saving



Fast Fix

SHOWERS - IDEALRAIN RAINSHOWERS

DUAL SHOWER SYSTEM Ø 200 MM



MODEL

Dual fixed riser system with M1 rainshower & M3 shower kit for built-in shower mixers

SKU

A5689AA

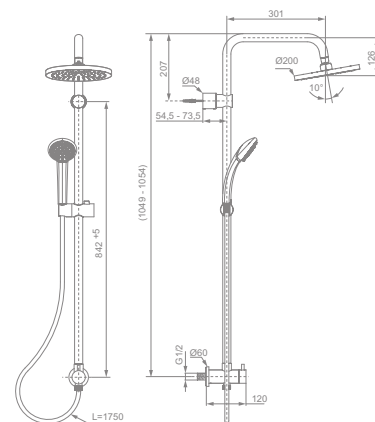
Dual fixed riser system with M1 rainshower & M3 shower kit for exposed shower mixers

A5691AA

Shower bar extension

A860873AA

- Removable 12 litres per minute flow regulator.



CUBE DUAL SHOWER SYSTEM Ø 200 MM



MODEL

Cube Dual fixed riser system with M1 rainshower & M3 shower kit for built-in shower mixers

SKU

A5834AA

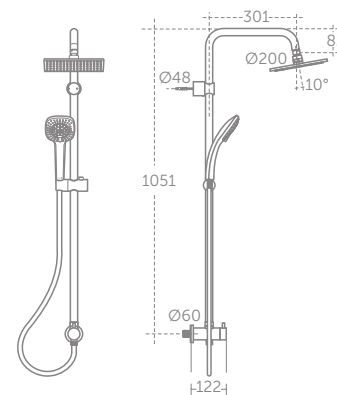
Cube Dual fixed riser system with M1 rainshower & M3 shower kit for exposed shower mixers

A5862AA

Shower bar extension

A860873AA

- Removable 12 litres per minute flow regulator.



S1 SHOWERHEAD WITH ANGLED ARM Ø 100 MM



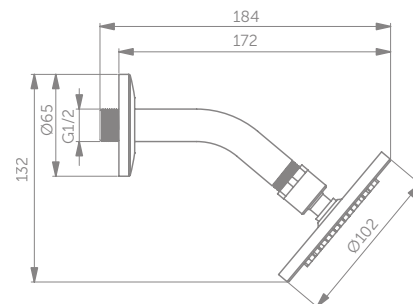
MODEL

Rainshower head with angled arm

SKU

B9436AA

- Removable 12 litres per minute flow regulator.



ARM RAINSHOWER



MODEL

400 mm horizontal arm - chrome

SKU

B9445AA

400 mm horizontal arm - silk black

B9445XG

300 mm horizontal arm - chrome

B9444AA

150 mm vertical arm - chrome

B9446AA

150 mm vertical arm - silk black

B9446XG



5 Year Guarantee



Water Saving

SHOWERS - SHOWERING ACCESSORIES

CUBE RAINSHOWER

**MODEL**

Cube M1 rainshower head 200 mm - chrome
Cube M1 rainshower head 200 mm - silk black

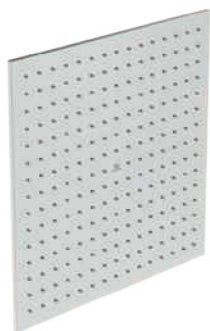
SKU

B0024AA
B0024XG

- Removable 12 litres per minute flow regulator



SQUARE RAINSHOWER

**MODEL**

Square rainshower head 400 mm - chrome
Cube L1 rainshower head 300 mm - chrome

SKU

A5806AA
A5805AA

- Square metal shower head
- 400 x 400 mm
- Easy clean nozzles to prevent limescale build up 12l/min flow restrictor



ROUND RAINSHOWER

**MODEL**

Round M1 rainshower head 200 mm - chrome
Round L1 rainshower head 300 mm - chrome
Round rainshower head 400 mm - chrome
Round M1 rainshower head 300 mm - silk black

SKU

B9442AA
A5803AA
A5804AA
A5803XG

- Removable 12 litres per minute flow regulator.



ROUND RAINSHOWER - SILK BLACK

**MODEL**

Round S1 rainshower head 200 mm - silk black

SKU

BD140XG

- Removable 12 litres per minute flow regulator.



5 Year Guarantee



Water Saving

SHOWERS - SHOWERING ACCESSORIES

EVO JET HANDSPRAY Ø 125 MM

**MODEL**

Round, 3 mode handspray

SKU

B1759AA



EVO JET HANDSPRAY Ø 125 MM

**MODEL**

Diamond, 3 mode handspray

SKU

B1760AA



EVO HANDSPRAY Ø 110 MM

**MODEL**

Round 3 mode handspray

SKU

B2231AA



EVO HANDSPRAY Ø 110MM

**MODEL**

Diamond, 3 mode handspray

SKU

B2232AA



IDEALRAIN STICK HANDSPRAY

**MODEL**

Stick handspray - chrome

SKU

BC774AA

Stick handspray - silk black

BC774XG

- Metal 1-function handspray

IDEALRAIN STICK HANDSPRAY

**MODEL**

Stick handspray - cubic design

SKU

BD320AA

- Metal 1-function handspray



3 Shower Modes

SHOWERS - SHOWERING ACCESSORIES

IDEALRAIN SQUARE WALL BRACKET



MODEL	SKU
Square metal wall bracket	BC770AA
<ul style="list-style-type: none">• Metal wall bracket• Square design• With plastic insert	

IDEALRAIN ROUND WALL BRACKET



MODEL	SKU
Round metal wall bracket - chrome	BC806AA
Round metal wall bracket - silk black	BC806XG
<ul style="list-style-type: none">• Metal wall bracket• Round design• With plastic insert	

IDEALRAIN SQUARE WALL BRACKET WITH 1/2" CONNECTION



MODEL	SKU
Square metal wall bracket with 1/2" connection	BC771AA
<ul style="list-style-type: none">• Wall bracket with intergrated wall elbow• Square design• With plastic insert• With back-flow prevention	

IDEALRAIN ROUND WALL BRACKET WITH 1/2" CONNECTION



MODEL	SKU
Round metal wall bracket with 1/2" connection - chrome	BC807AA
Round metal wall bracket with 1/2" connection - silk black	BC807XG
<ul style="list-style-type: none">• Wall bracket with intergrated wall elbow• Round design• With plastic insert• With back-flow prevention	

IDEALRAIN SQUARE WALL ELBOW



MODEL	SKU
Square metal wall elbow with 1/2" connection	BC772AA
<ul style="list-style-type: none">• Metal wall elbow• Square design• With plastic insert• With back-flow prevention	

IDEALRAIN ROUND WALL ELBOW



MODEL	SKU
Round metal wall elbow with 1/2" connection - chrome	BC808AA
Round metal wall elbow with 1/2" connection - silk black	BC808XG
<ul style="list-style-type: none">• Metal wall elbow• Round design• With plastic insert• With back-flow prevention	

SHOWERS - SHOWERING ACCESSORIES

IDEALRAIN SLIDE RAIL



MODEL	SKU
720 mm slide rail	B9421AA
600 mm slide rail	B9420AA

IDEALFLEX SHOWER HOSE



MODEL	SKU
1.25m smooth hose - chrome	BE125AA
1.25m smooth hose - silk black	BE125XG
1.50 m smooth hose - chrome	BE150AA
1.75 m smooth hose - chrome	BE175AA
1.75 m smooth hose - silk black	BE175XG
2.00 m smooth hose - chrome	BE200AA

METAL FLEX HOSES



MODEL	SKU
1.25 m shower hose	BF125AA
1.50 m shower hose	BF150AA
1.75 m shower hose	BF175AA
2.00 m shower hose	BF200AA

SHOWER OUTLET FLOW REGULATOR



MODEL	SKU
5 litres per minute	L6938AA
6 litres per minute	L6959AA
7 litres per minute	L6960AA
8 litres per minute	L6961AA
9 litres per minute	L6749AA

Art direction:

ps+a

Photo:

Carlo William Rossi + Fabio Mureddu



Ideal Standard

Ideal Standard-Vidima AD

53 Marin Popov Street
5400 Sevlievo, Bulgaria
Tel: +359 675 30362
office@idealstandard.com

Contact for Baltics

Tel: +37066739400
IJankauskas@idealstandard.com

Representative Office, Bucharest

Calea Victoriei Nr. 109,
010069 Bucharest, Romania
Tel: +40 21 322 3201
Tel: +40 21 322 3202
OfficeBucharest@idealstandard.com

Representative office, Belgrade

Drinčićevo no.19, apartment no.8
11000 Belgrade, Serbia
Tel/Fax: +381 11 7138 058
Tel/Fax: +381 11 7138 059
OBelgrade@IdealStandard.com

Representative Office, Budapest

IS-Hun Kft
1094 Budapest, Hungary
Viola u 16-18
Tel: +36 30 6991 594
ZGarai@idealstandard.com

Contact for Albania, Kosovo

and Bosnia & Herzegovina
Tel: +359 887 709 696
IMichev@idealstandard.com

Contact for Croatia

Tel: +38591 22 99 304
HPavicic@idealstandard.com

Contact for Slovenia

Tel: +39 040 2158058
info@liaison.it

www.idealstandard.com